

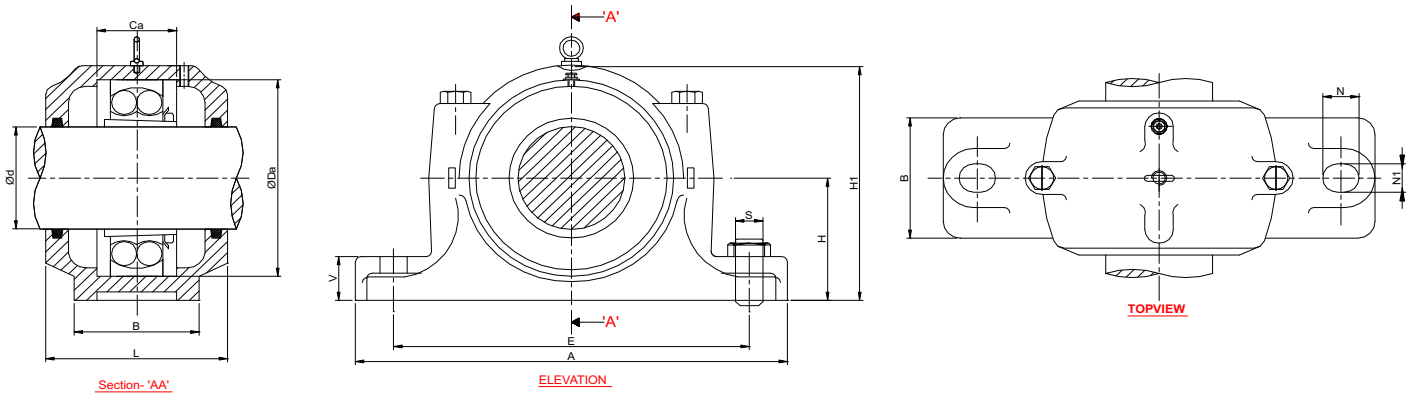
# ETERNO

Power Transmission Products



## Plummer Blocks Housings

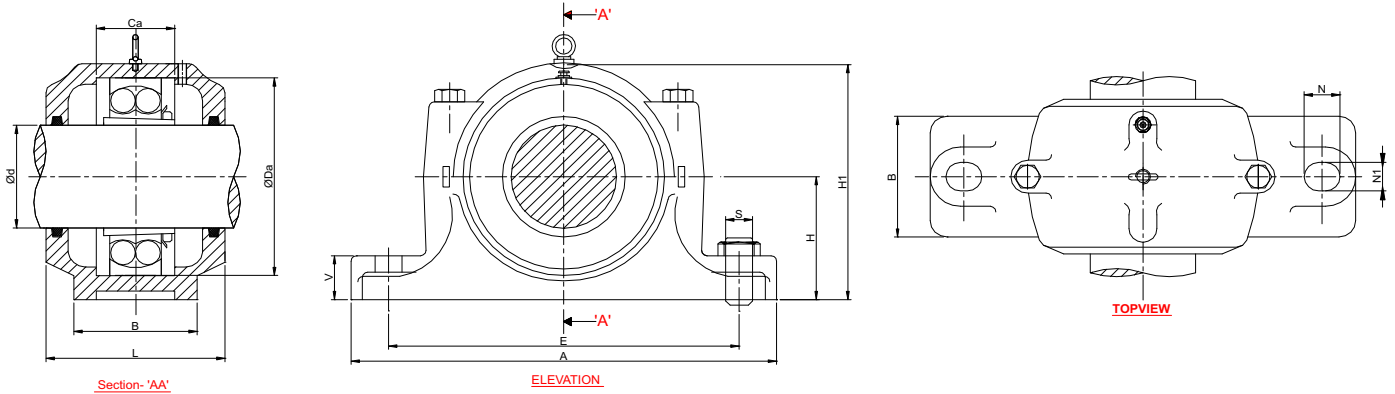
### S Series



Housing no.	For Shaft Diameters (d)		DIMENSION IN MM						Inch S
	mm	inch	L	B	H	A	E	V	
505	20	3/4	62	52	40	165	125	12	1/2
506	25	1	80	55	50	190	150	17	1/2
507	30	1-1/8	82	52	50	190	150	18	1/2
508	35	1-1/4	87	60	60	210	167	18	1/2
509	40	1-1/2	90	60	60	220	170	20	1/2
510	45	1-3/4	90	60	60	220	170	20	1/2
511	50	2	95	66	70	270	213	20	5/8
512	55	2-1/8	105	67	70	270	213	23	5/8
513	60	2-1/4	110	80	80	290	230	25	5/8
515	65	2-1/2	115	80	80	295	240	28	5/8
516	70	2-3/4	120	90	95	330	260	27	5/8
517	75	3	125	90	95	330	260	28	3/4
518	80	3-1/8	130	97	100	360	290	29	3/4
519	85	3-1/4	140	100	112	360	290	33	3/4
520	90	3-1/2	150	110	112	400	320	33	3/4
521	95	3-3/4	160	120	125	420	350	36	7/8
522	100	4	160	120	125	420	350	36	7/8
524	110	4-1/4	175	117	140	420	350	36	7/8
526	115	4-1/2	190	128	150	455	385	40	7/8
528	125	5	202	152	150	505	415	42	1-1/8
530	135	5-1/4	210	158	160	540	445	50	1-1/8
532	140	5-1/2	214	160	170	565	470	50	1-1/4
534	150	6	252	170	180	625	520	50	1-1/4
536	160	6-1/2	252	170	192	680	565	65	1-1/4
538	170	6-3/4	255	190	200	710	580	60	1-1/2
540	180	7	270	203	212	757	615	60	1-1/2
544	200	8	285	220	240	830	680	70	1-3/4

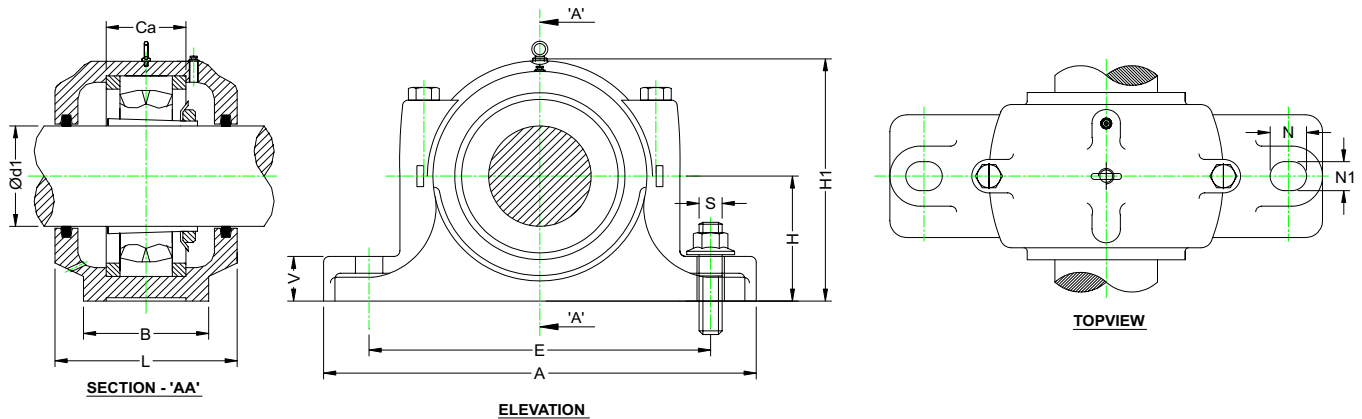
Housing no.	For Shaft Diameters (d)		DIMENSION IN MM						Inch S
	mm	inch	L	B	H	A	E	V	
605	20	3/4	80	52	50	190	150	16	1/2
606	25	1	82	52	50	190	150	18	1/2
607	30	1-1/8	92	60	60	215	162	20	1/2
608	35	1-1/4	92	64	60	215	162	20	1/2
609	40	1-1/2	95	69	70	275	210	23	5/8
610	45	1-3/4	115	70	70	270	210	23	5/8
611	50	2	115	80	80	290	233	25	5/8
612	55	2-1/8	115	80	80	290	230	25	5/8
613	60	2-1/4	126	87	95	325	260	27	3/4
615	65	2-1/2	129	97	100	360	290	27	3/4
616	70	2-3/4	140	100	112	365	290	27	3/4
617	75	3	162	110	112	395	320	33	3/4
618	80	3-1/8	165	122	125	422	340	30	7/8
619	85	3-1/4	165	125	125	422	340	37	7/8
620	90	3-1/2	178	119	140	422	358	40	1
621	95	3-3/4	190	130	150	455	378	40	1
622	100	4	190	130	150	455	378	40	1
624	110	4-1/4	210	158	160	540	445	48	1-1/8
626	115	4-1/2	212	157	170	560	470	48	1-1/4
628	125	5	255	170	180	630	520	50	1-1/4
630	135	5-1/4	255	170	190	685	565	65	1-1/2
632	140	5-1/2	260	190	200	720	580	65	1-1/2
634	150	6	270	203	212	757	615	65	1-1/2
636	160	6-1/2	270	210	225	795	650	65	1-1/2
638	170	6-3/4	285	220	240	830	680	70	1-3/4
640	180	7	300	230	250	870	720	70	1-3/4

### S Series



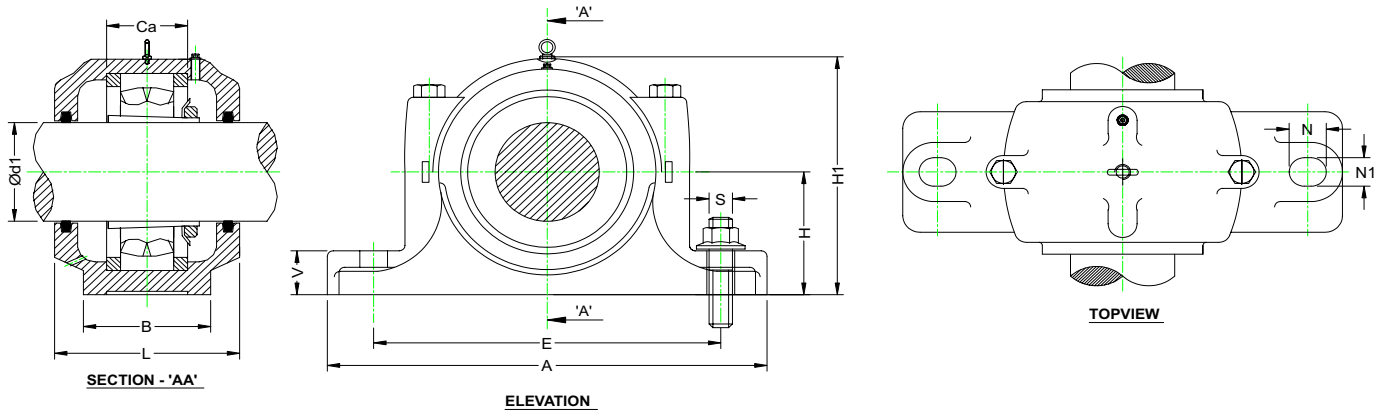
Plummer Block Designation	Shaft dia d1	DIMENSIONS IN MM							Bearing with Adapter Sleeve	Locating Rings	No.	Felt Strip No.
		L	H	A	B	E	V	S				
S 3024	110	160	112	390	110	320	40	24	23024 K + H 3024	10/180	1	FS 460
S 3026	115	175	125	420	120	350	45	24	23026 K + H 3026	10/200	1	FS 460
S 3028	125	185	140	420	120	350	45	24	23028 K + H 3028	10/210	1	FS 510
S 3030	135	190	150	460	130	380	50	24	23030 K + H 3030	10/225	1	FS 510
S 3032	140	190	150	470	130	390	50	24	23032 K + H 3032	10/240	1	FS 680
S 3034	150	220	160	540	160	450	60	30	23034 K + H 3034	10/260	1	FS 680
S 3036	160	235	170	560	160	470	60	30	23036 K + H 3036	10/280	1	FS 680
S 3038	170	235	170	560	160	470	60	30	23038 K + H 3038	10/290	1	FS 680
S 3040	180	235	180	615	170	515	60	30	23040 K + H 3040	10/310	1	FS 680

### SN Series



Blocks Designation	Shaft Dia d1		DIMENSION IN MM										Bearing with Adapter Sleeve	Locating Rings	No.	Felt Strip No.
	mm	inch	L	H	A	B	E	V	S	Ca	N	N1				
SN 505	20	3/4	67	40	165	46	130	19	12	25	20	15	1205 K + H 205	5/52	2	FS 110
													2205 K + H 305	7/52	1	
SN 506	25	1	77	50	185	52	150	22	12	30	20	15	1206 K + H 206	7/62	2	FS 190
													2206 K + H 306	10/62	1	
SN 507	30	1-1/8	82	50	185	52	150	22	12	33	20	15	1207 K + H 207	8/72	2	FS 190
													2207 K + H 307	10/72	1	
													22207 CK+ H 307	10/72	1	
SN 508	35	1-1/4	85	60	205	60	170	25	12	34	20	15	1208 K + H 208	8/80	2	FS 190
													2208 K + H 308	11/80	1	
													22208 CK+ H 308	11/80	1	
SN 509	40	1-1/2	85	60	205	60	170	25	12	31	20	15	1209 K + H 209	6/85	2	FS 190
													2209 K + H 309	8/85	1	
													22209 CK+ H 309	8/85	1	
SN 510	45	1-3/4	90	60	205	60	170	25	12	33	20	15	1210 K + H 210	6.5/90	2	FS 190
													2210 K + H 310	10/90	1	
													22210 CK+ H 310	10/90	1	
SN 511	50	2	95	70	255	70	210	28	16	33	23	18	1211 K + H 211	6/100	2	FS 260
													2211 K + H 311	8/100	1	
													22211 CK+ H 311	8/100	1	
SN 512	55	2-1/8	105	70	255	70	210	30	16	38	23	18	1212 K + H 212	8/110	2	FS 260
													2212 K + H 312	10/110	1	
													22212 CK+ H 312	10/110	1	
SN 513	60	2-1/4	110	80	275	80	230	30	16	43	23	18	1213 K + H 213	10/120	2	FS 260
													2213 K + H 313	12/120	1	
													22213 CK+ H 313	12/120	1	
SN 515	65	2-1/2	115	80	280	80	230	30	16	41	23	18	1215 K + H 215	8/130	2	FS 260
													2215 K + H 315	10/130	1	
													22215 CK+ H 315	10/130	1	
SN 516	70	2-3/4	120	95	315	90	260	32	20	43	27	22	1216 K + H 216	8.5/140	2	FS 330
													2216 K + H 316	10/140	1	
													22216 CK+ H 316	10/140	1	
SN 517	75	3	125	95	320	90	260	32	20	46	27	22	1217 K + H 217	9/150	2	FS 330
													2217 K + H 317	10/150	1	

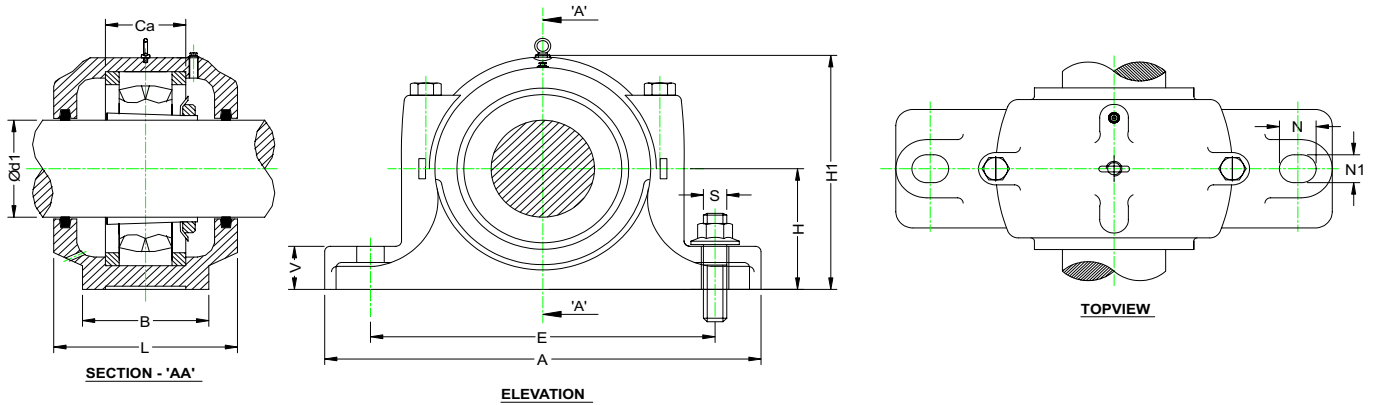
### SN Series



Plummer Blocks Designation	Shaft Dia d1		DIMENSION IN MM										Bearing with Adapter Sleeve	Locating Rings	No.	Felt Strip No.
	mm	inch	L	H	A	B	E	V	S	Ca	N	N1				
SN 518	80	---	145	100	345	100	290	35	20	62	27	22	1218 K + H 218	16.2/160	2	FS 330
													2218 K + H 318	11.2/160	2	
													22218CK + H 318	11.2/160	2	
													23218CK + H 2318	10/160	1	
SN 519	85	3-1/4	145	112	345	100	290	35	20	53	27	22	1219 K + H 219	10.5/170	2	FS 330
													2219 K + H 319	10/170	1	
													22219CK + H 319	10/170	1	
SN 520	90	3-1/2	160	112	380	110	320	40	24	70	32	26	1220 K + H 220	18/180	2	FS 370
													2220 K + H 320	12/180	2	
													22220 CK+ H 320	12/180	2	
													23220 CK+ H 2320	9.7/180	1	
SN 522	100	4	175	125	410	120	350	45	24	80	32	26	1222 K + H 222	21/200	2	FS 460
													2222 K + H 322	13.5/200	2	
													22222 CK+ H 322	13.5/200	2	
													23222 CK+ H 2322	10/200	1	
SN 524	110	4-1/4	185	140	410	120	350	45	24	86	32	26	22224 CK+ H 3124	14/215	2	FS 460
													23224 CK+ H 2324	10/215	1	
SN 526	115	4-1/2	190	150	445	130	380	50	24	90	35	28	22226 CK+ H 3126	13/230	2	FS 460
													23226 CK+ H 2326	10/230	1	
SN 528	125	5	205	150	500	150	420	50	30	98	42	35	22228 CK+ H 3128	15/250	2	FS 510
													23228 CK+ H 2328	10/250	1	
SN 530	135	5-1/4	220	160	530	160	450	60	30	106	42	35	22230 CK+ H 3130	16.5/270	2	FS 510
													23230 CK+ H 2330	10/270	1	
SN 532	140	5-1/2	235	170	550	160	470	60	30	114	42	35	22232 CK+ H 3132	17/290	2	FS 680
													23232 CK+ H 2332	10/290	1	
SN 534	150	6	235	180	620	170	520	65	30	120	42	35	22234 CK+ H 3134	17/310	2	FS 680
													23234 CK+ H 2334	10/310	1	
SN 536	160	6-1/2	245	190	650	180	560	65	30	122	42	35	22236 CK+ H 3136	18/320	2	FS 680
													23236 CK+ H 2336	10/320	1	
SN 538	170	6-3/4	255	200	680	190	580	70	36	130	50	42	22238 CK+ H 3138	19/340	2	FS 680
													23238 CK+ H 2338	10/340	1	

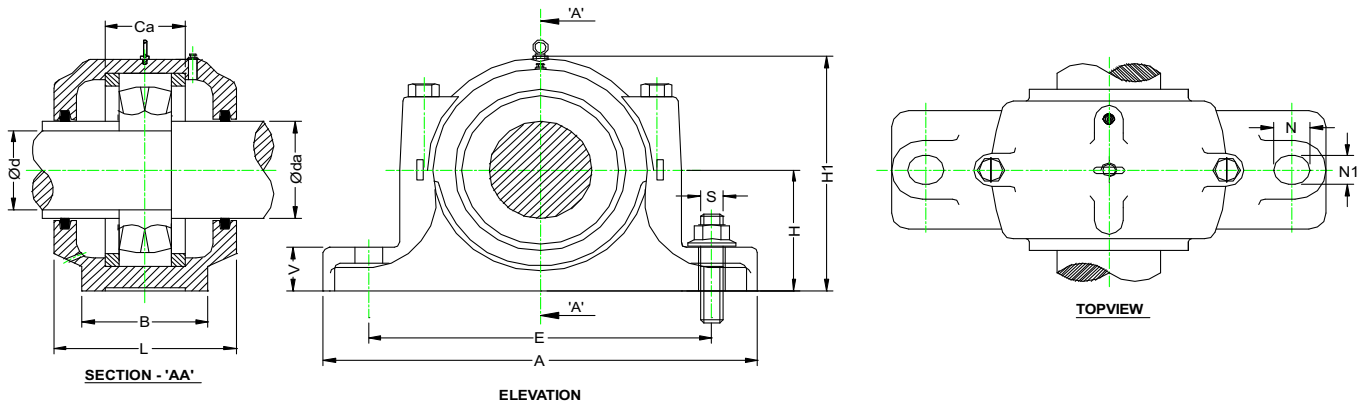


### SN Series



Plummer Blocks Designation	Shaft Dia d1		DIMENSION IN MM										Bearing with Adapter Sleeve	Locating Rings	No.	Felt Strip No.
	mm	inch	L	H	A	B	E	V	S	Ca	N	N1				
SN 615	65	2-1/2	140	100	345	100	290	35	20	65	27	22	1315 K + H 315	14/160	2	FS 260
													21315 K + H 315	14/160	2	
													2315K + H 2315	10/160	1	
													22315CK+ H 2315	10/160	1	
SN 616	70	2-3/4	145	112	345	100	290	35	20	68	27	22	1316 K + H 316	14.5/170	2	FS 330
													21316 K + H 316	14.5/170	2	
													2316 K + H 2316	10/170	1	
													22316CK + H 2316	10/170	1	
SN 617	75	3	155	112	380	110	320	40	24	70	32	26	1317 K + H 317	14.5/180	2	FS 330
													21317 K + H 317	14.5/180	2	
													2317 K + H 2317	10/180	1	
													22317 CK+ H 2317	10/180	1	
SN 618	80	3-3/16	160	112	380	110	320	40	24	74	32	26	1318 K + H 318	15.5/190	2	FS 330
													21318 K + H 318	15.5/190	2	
													2318 K + H 2318	10/190	1	
													22318 CK+ H 2318	10/190	1	
SN 619	85	3-3/8	170	125	410	120	350	45	24	77	32	26	1319 K + H 319	16/200	2	FS 330
													21319 K + H 319	16/200	2	
													2319 K + H 2319	10/200	1	
													22319 CK+ H 2319	10/200	1	
SN 620	90	3-1/2	175	140	410	120	350	45	24	83	32	26	1320 K + H 320	18/215	2	FS 370
													21320 K + H 320	18/215	2	
													2320 K + H 2320	10/215	1	
													22320 CK+ H 2320	10/215	1	
SN 622	100	4	190	150	450	130	390	50	24	90	35	28	21322 K + H 322	20/240	2	FS 370
													22322 CK+ H 2322	10/240	1	
SN 624	110	4-1/4	200	160	530	160	450	60	30	96	42	35	20324 K+ H 3124	20.5/260	2	FS 460
													22324 CK+ H 2324	10/260	1	
SN 626	115	4-1/2	210	170	550	160	470	60	30	103	42	35	20326 K+ H 3126	22.5/280	2	FS 460
													22326 CK+ H 2326	10/280	1	
SN 628	125	5	235	180	620	170	520	65	30	112	42	35	20328 K+ H 3128	25/300	2	FS 510
													22328 CK+ H 2328	10/300	1	
SN 630	135	5-1/4	245	190	650	180	560	65	30	118	42	35	20330 K+ H 3130	26.5/320	2	FS 510
													22330 CK+ H 2330	10/320	1	
SN 632	14	5-1/2	255	200	680	190	580	70	36	124	50	42	20332 K+ H 3132	28/340	2	FS 680
													22332 CK+ H 2332	10/340	1	

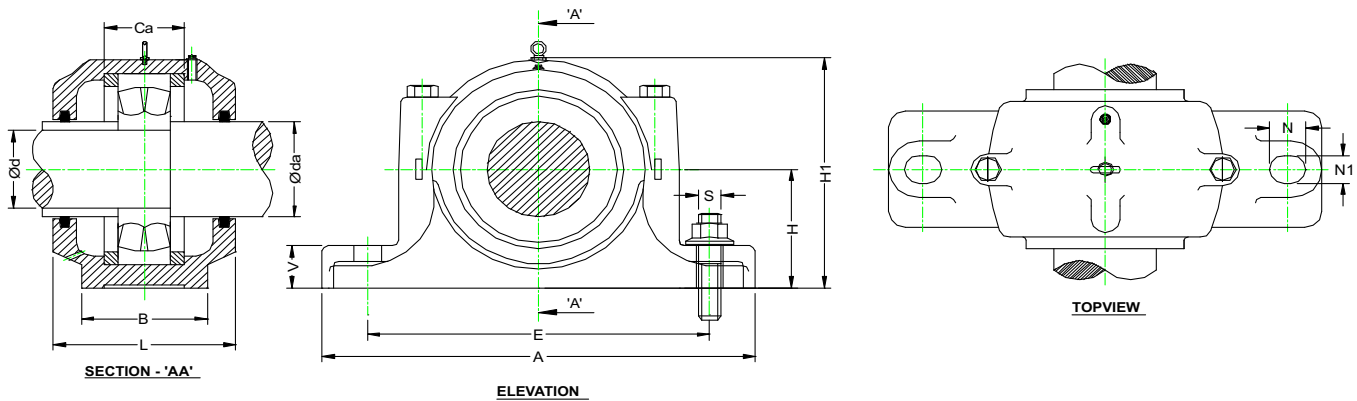
### SN Series



Plummer Blocks Designation	Shaft Dia		DIMENSION IN MM										Bearing Number	Locating Rings	No.	Felt Strip No.
	d	da	L	H	A	B	E	V	S	Ca	N	N1				
SN 205	25	30	67	40	165	46	130	19	12	25	20	15	1205	5/52	2	FS 190
													2205	7/52	1	
SN 206	30	35	77	50	185	52	150	22	12	30	20	15	1206	7/62	2	FS 190
													2206	10/62	1	
SN 207	35	45	82	50	185	52	150	22	12	33	20	15	1207	8/72	2	FS 190
													2207	10/72	1	
													22207 C	10/72	1	
SN 208	40	50	85	60	205	60	170	25	12	34	20	15	1208	8/80	2	FS 260
													2208	11/80	1	
													22208 C	11/80	1	
SN 209	45	55	85	60	205	60	170	25	12	31	20	15	1209	6/85	2	FS 260
													2209	8/85	1	
													22209 C	8/85	1	
SN 210	50	60	90	60	205	60	170	25	12	33	20	15	1210	6.5/90	2	FS 260
													2210	10/90	1	
													22210 C	10/90	1	
SN 211	55	65	95	70	255	70	210	28	16	33	23	18	1211	6/100	2	FS 260
													2211	8/100	1	
													22211 C	8/100	1	
SN 212	60	70	105	70	255	70	210	30	16	38	23	18	1212	8/110	2	FS 330
													2212	10/110	1	
													22212 C	10/110	1	
SN 213	65	75	110	80	275	80	230	30	16	43	23	18	1213	10/120	2	FS 330
													2213	12/120	1	
													22213 C	12/120	1	
SN 215	75	85	115	80	280	80	230	30	16	41	23	18	1215	8/130	2	FS 330
													2215	10/130	1	
													22215 C	10/130	1	
SN 216	80	90	120	95	315	90	260	32	20	43	27	22	1216	8.5/140	2	FS 370
													2216	10/140	1	
													22216 C	10/140	1	
SN 217	85	95	125	95	320	90	260	32	20	46	27	22	1217	9/150	2	FS 370
													2217	10/150	1	
													22217 C	10/150	1	

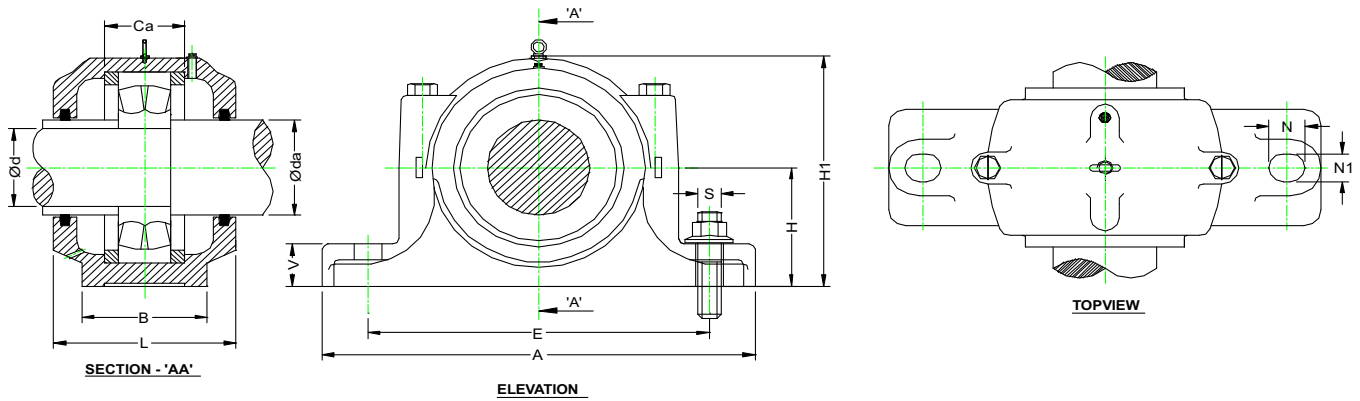


### SN Series



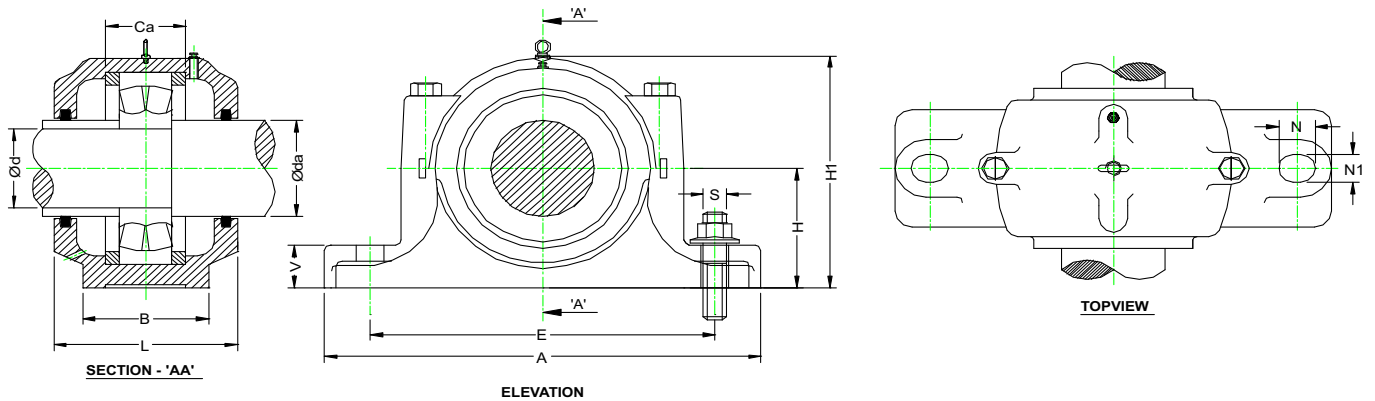
Plummer Blocks Designation	Shaft Dia		DIMENSION IN MM										Bearing Number	Locating Rings	No.	Felt Strip No.
	d	da	L	H	A	B	E	V	S	Ca	N	N1				
SN 218	90	100	145	100	345	100	290	35	20	62	27	22	1218	16.2/160	2	FS 460
													2218	11.2/160	2	
													22218C	11.2/160	2	
													23218C	10/160	1	
SN 219	95	110	145	112	345	100	290	35	20	53	27	22	1219	10.5/170	2	FS 460
													2219	10/170	1	
													22219C	10/170	1	
SN 220	100	115	160	112	380	110	320	40	24	70	32	26	1220	18/180	2	FS 460
													2220	12/180	2	
													22220 C	12/180	2	
													23220 C	9.7/180	1	
SN 222	110	125	175	125	410	120	350	45	24	80	32	26	1222	21/200	2	FS 510
													2222	13.5/200	2	
													22222 C	13.5/200	2	
													23222 C	10/200	1	
SN 224	120	135	185	140	410	120	350	45	24	86	32	26	22224 C	14/215	2	FS 510
													23224 C	10/215	1	
SN 226	130	145	190	150	445	130	380	50	24	90	35	28	22226 C	13/230	2	FS 680
													23226 C	10/230	1	
SN 228	140	155	205	150	500	150	420	50	30	98	42	35	22228 C	15/250	2	FS 680
													23228 C	10/250	1	
SN 230	150	165	220	160	530	160	450	60	30	106	42	35	22230 C	16.5/270	2	FS 680
													23230 C	10/270	1	
SN 232	160	175	235	170	550	160	470	60	30	114	42	35	22232 C	17/290	2	FS 680
													23232 C	10/290	1	
SN 234	170	185	235	180	620	170	520	65	30	120	42	35	22234 C	17/310	2	FS 680
													23234 C	10/310	1	
SN 236	180	195	245	190	650	180	560	65	30	122	42	35	22236 C	18/320	2	FS 830
													23236 C	10/320	1	
SN 238	190	205	255	200	680	190	580	70	36	130	50	42	22238 C	19/340	2	FS 830
													23238 C	10/340	1	

### SN Series



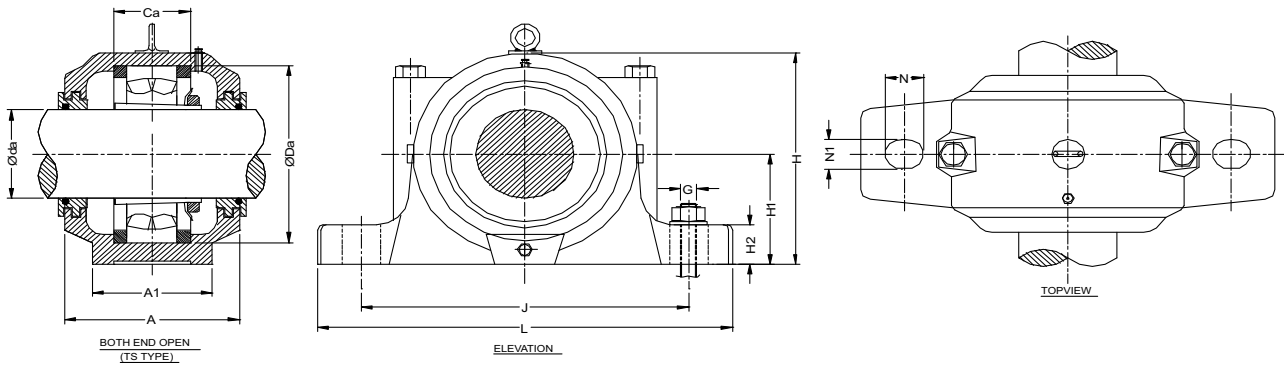
Plummer Blocks Designation	Shaft Dia		DIMENSION IN MM										Bearing Number	Locating Rings	No.	Felt Strip No.
	d	da	L	H	A	B	E	V	S	Ca	N	N1				
SN 305	25	30	80	50	185	52	150	22	12	34	20	15	1305	8.5/62	2	FS 190
													2305	10/62	1	
SN 306	30	35	82	50	185	52	150	22	12	37	20	15	1306	9/72	2	FS 190
													2306	10/72	1	
SN 307	35	45	90	60	205	60	170	25	12	41	20	15	1307	10/80	2	FS 190
													21307	10/80	2	
													2307 C	10/80	1	
SN 308	40	50	95	60	205	60	170	25	12	43	20	15	1308	10/80	2	FS 260
													21308	10/90	2	
													2308	10/90	1	
													22308 C	10/90	1	
SN 309	45	55	105	70	255	70	210	28	16	46	23	18	1309	10.5/100	2	FS 260
													21309	10.5/100	2	
													2309	10/100	1	
													22309 C	10/100	1	
SN 310	50	60	115	70	255	70	210	30	16	50	23	18	1310	11.5/110	2	FS 260
													21310	11.5/110	2	
													2310	10/110	1	
													22310C	10/110	1	
SN 311	55	65	120	80	275	80	230	30	16	53	23	18	1311	12/120	2	FS 260
													21311	12/120	2	
													2311	10/120	1	
													22311 C	10/120	1	
SN 312	60	70	125	80	280	80	230	30	16	56	23	18	1312	12.5/130	2	FS 330
													21312	12.5/130	2	
													2312	10/130	1	
													22312 C	10/130	1	
SN 313	65	75	130	95	315	90	260	32	20	58	27	22	1313	12.5/140	2	FS 330
													21313	12.5/140	2	
													2313	10/140	1	
													22313 C	10/140	1	
SN 314	70	80	130	95	320	90	260	32	20	61	27	22	1314	13/150	2	FS 330
													21314	13/150	2	
													2314	10/150	1	
													22314 C	10/150	1	

### SN Series



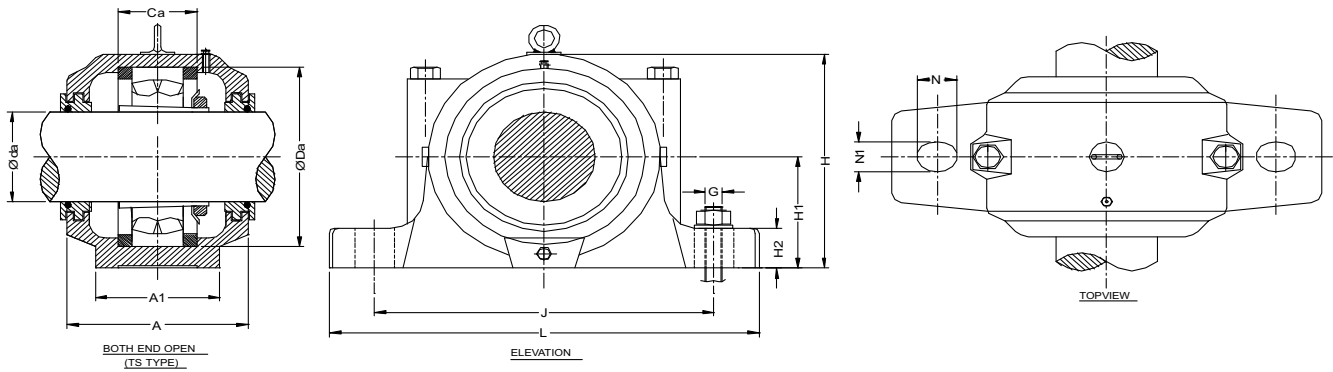
Plummer Blocks Designation	Shaft Dia		DIMENSION IN MM										Bearing Number	Locating Rings	No.	Felt Strip No.
	d	da	L	H	A	B	E	V	S	Ca	N	N1				
SN 315	75	85	140	100	345	100	290	35	20	65	27	22	1315	14/160	2	FS 330
													21315	14/160	2	
													2315	10/160	1	
													22315C	10/160	1	
SN 316	80	90	145	112	345	100	290	35	20	68	27	22	1316	14.5/170	2	FS 370
													21316	14.5/170	2	
													2316	10/170	1	
													22316C	10/170	1	
SN 317	85	95	155	112	380	110	320	40	24	70	32	26	1317	14.5/180	2	FS 370
													21317	14.5/180	2	
													2317	10/180	1	
													22317 C	10/180	1	
SN 318	90	105	160	112	380	110	320	40	24	74	32	26	1318	15.5/190	2	FS 460
													21318	15.5/190	2	
													2318	10/190	1	
													22318 C	10/190	1	
SN 319	95	110	170	125	410	120	350	45	24	77	32	26	1319	16/200	2	FS 460
													21319	16/200	2	
													2319	10/200	1	
													22319 C	10/200	1	
SN 320	100	115	175	140	410	120	350	45	24	83	32	26	1320	18/215	2	FS 460
													21320	18/215	2	
													2320	10/215	1	
													22320 C	10/215	1	
SN 322	110	125	190	150	450	130	390	50	24	90	35	28	21322	20/240	2	FS 510
													22322 C	10/240	1	
SN 324	120	135	200	160	530	160	450	60	30	96	42	35	20324	20.5/260	2	FS 510
													22324 C	10/260	1	
SN 326	130	150	210	170	550	160	470	60	30	103	42	35	20326	22.5/280	2	FS 680
													22326 C	10/280	1	
SN 328	140	160	235	180	620	170	520	65	30	112	42	35	20328	25/300	2	FS 680
													22328 C	10/300	1	
SN 330	150	170	245	190	650	180	560	65	30	118	42	35	20330	26.5/320	2	FS 680
													22330 C	10/320	1	
SN 332	160	180	255	200	680	190	580	70	36	124	50	42	20332	28/340	2	FS 680
													22332 C	10/340	1	

### SNA Series



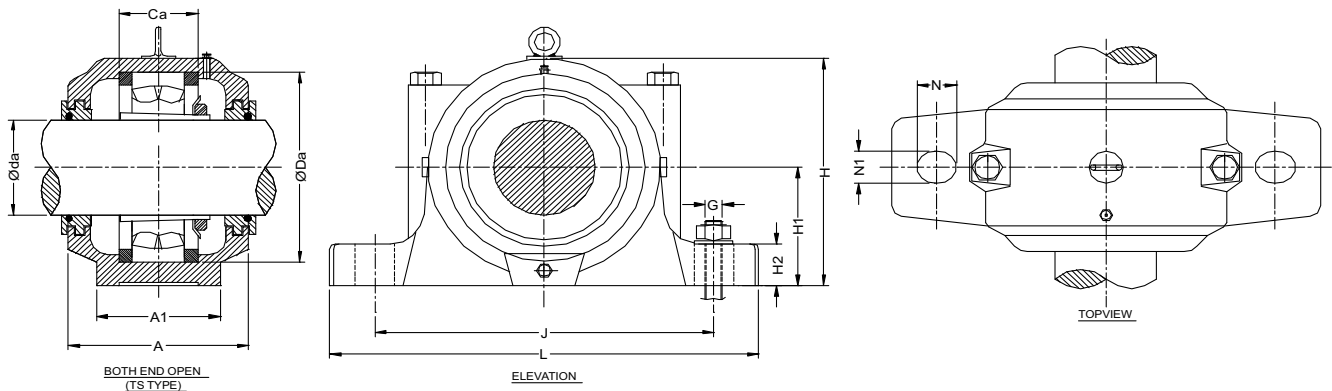
Plummer Blocks Designation	Shaft Dia da mm	DIMENSION IN MM												Bearing with Adapter Sleeve	Locating Rings	No.
		A	A1	Da	H	H1	H2	J	L	Ca	N	N1	G			
SNA 505	20	67	46	31.5	71	40	19	130	165	25	20	13	10	1205 K + H 205	5/52	2
														2205 K + H 305	7/52	1
SNA 506	25	77	52	36.5	87	50	22	150	185	32	22	13	10	1206 K + H 206	8/62	2
														2206 K + H 306	6/62	2
SNA 605	20													1305 K + H 305	7.5/62	2
														2305 K + H 2305	8/62	1
SNA 507	30	82	52	46.5	92	50	22	150	185	34	20	13	10	1207 K + H 207	8.5/72	2
														2207 K + H 307	5.5/72	2
														22207 CK+ H 307	5.5/72	2
SNA 606	25													1306 K + H 306	7.5/72	2
														2306 K + H 2306	7/72	1
SNA 508	35	85	60	51.5	106	60	25	170	205	39	20	15	12	1208 K + H 208	10.5/80	2
														2208 K + H 308	8/80	2
														22208 CK+ H 308	8/80	2
SNA 607	30													1307 K + H 307	9/80	2
														2307 K + H 307	8/80	1
SNA 509	40	85	60	56.5	109	60	25	170	205	30	20	15	12	1209 K + H 209	5.5/85	2
														2209 K + H 309	7/85	1
														22209 CK+ H 309	7/85	1
SNA 510	45	90	60	62	112	60	25	170	205	41	20	15	12	1210 K + H 210	10.5/90	2
														2210 K + H 310	9/90	1
														22210 CK+ H 310	9/90	1
SNA 608	35													1308 K + H 308	9/90	2
														2308 K + H 2308	8/90	1
														21308 K + H 308	9/90	2
														22208 CK+ H 2308	8/90	1
SNA 511	50	95	70	67	127	70	28	210	255	44	23	18	16	1211 K + H 211	11.5/100	2
														2211 K + H 311	9.5/100	2
														22211 CK+ H 311	9.5/100	2
SNA 609	40													1309 K + H 309	9.5/100	2
														2309 K + H 2309	8/100	1
														21309 K + H 309	9.5/100	2
														22209 CK+ H 2309	8/100	1

### SNA Series



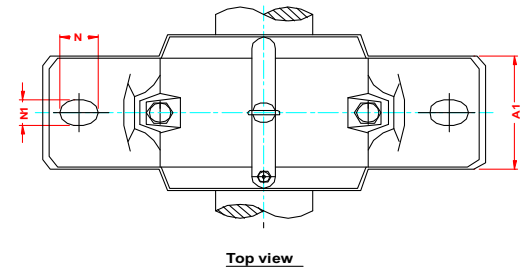
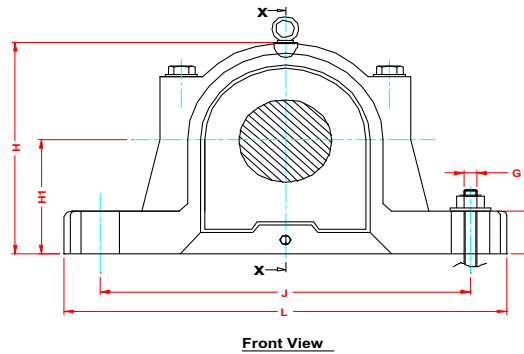
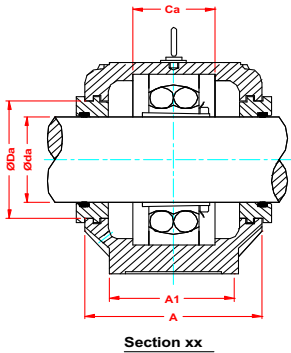
Plummer Blocks Designation	Shaft Dia da mm	DIMENSION IN MM											Bearing with Adapter Sleeve	Locating Rings	No.	
		A	A1	Da	H	H1	H2	J	L	Ca	N	N1				G
SNA 512	55	105	70	72	133	70	30	210	255	48	23	18	16	1212 K + H 212	13/110	2
														2212 K + H 312	10/110	2
														22212 CK+ H 312	10/110	2
SNA 610	45													1310 K + H 310	10.5/110	2
														2310 K + H 2310	8/110	1
														21310 K + H 310	10.5/110	2
														22310 K + H 2310	8/110	1
SNA 513	60	110	80	77	148	80	30	230	275	51	24	18	16	1213 K + H 213	14/120	2
														2213 K + H 313	10/120	2
														22213 CK+ H 313	10/120	2
SNA 611	50													1311 K + H 311	11/120	2
														2311 K + H 2311	8/120	1
														21311 K + H 311	11/120	2
														22311 K + H 2311	8/120	1
SNA 515	65	115	80	87	154	80	30	230	280	56	26	18	16	1215 K + H 215	15.5/130	2
														2215 K + H 315	12.5/130	2
														22215 CK+ H 315	12.5/130	2
SNA 612	55													1312 K + H 312	12.5/130	2
														2312 K + H 2312	10/130	1
														21312 CK+ H 312	12.5/130	2
														22312 CK+ H 2312	10/130	1
SNA 516	70	120	90	92.5	175	95	32	260	315	58	29	22	20	1216 K + H 216	16/140	2
														2216 K + H 316	12.5/140	2
														22216 CK+ H 316	12.5/140	2
SNA 613	60													1313 K + H 313	12.5/140	2
														2313 K + H 2313	10/140	1
														21313 K + H 313	12.5/140	2
														22313 K + H 2313	10/140	1
SNA 517	75	125	90	97.5	181	95	32	260	320	61	30	22	20	1217 K + H 217	16.5/150	2
														2217 K + H 317	12.5/150	2
														22217 CK+ H 317	12.5/150	2
SNA 518	80	140	100	102.5	192	100	35	290	345	65	27	22	20	1218 K + H 218	17.5/160	2
														2218 K + H 318	12.5/160	1
														22218 CK+ H 318	12.5/160	2
														23218 CK+ H 2318	12.5/160	1
SNA 615	65													1315 K + H 315	14/160	2
														2315 K + H 2315	10/140	2
														21315 K + H 315	14/160	2
														22315 K + H 2315	10/160	1

### SNA Series



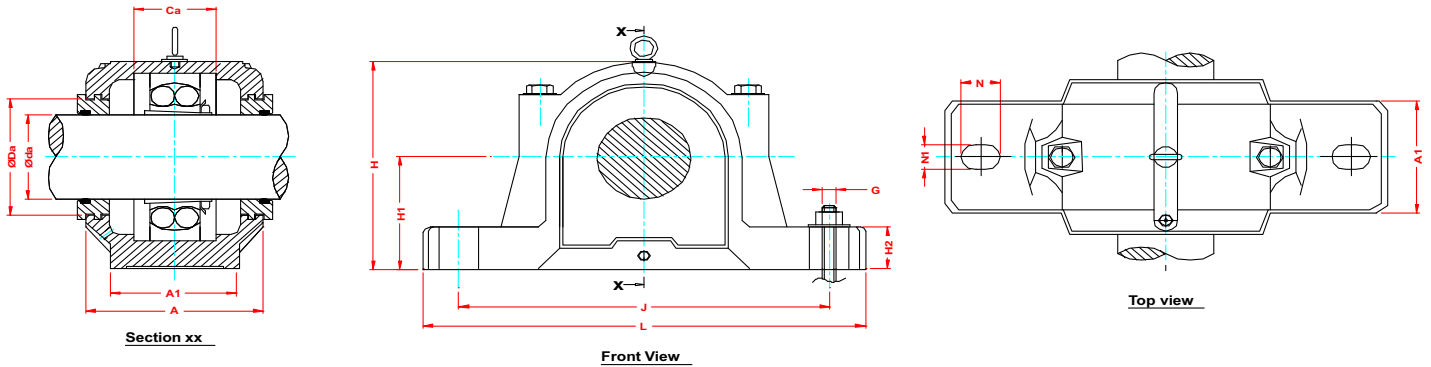
Plummer Blocks Designation	Shaft Dia da mm	DIMENSION IN MM												Bearing with Adapter Sleeve	Locating Rings	No.																																																												
		A	A1	Da	H	H1	H2	J	L	Ca	N	N1	G																																																															
SNA 519	85	145	100	131	209	112	35	290	345	68	27	22	20	1219 K + H 219	18/170	2																																																												
														2219 K + H 319	12.5/170	2																																																												
														22219 CK+ H 319	12.5/170	2																																																												
SNA 616	70													145	100	131	209	112	35	290	345	68	27	22	20	1316 K + H 316	14.5/170	2																																																
																										2316 K + H 2316	10/170	1																																																
																										21316 K + H 316	14.5/170	2																																																
																										22316 K + H 2316	10/170	1																																																
SNA 520	90																									160	110	137.5	215	112	40	320	380	70	32	26	24	1220 K + H 220	18/180	2																																				
																																						2220 K + H 320	12/180	2																																				
																																						22220 CK+ H 320	12/180	2																																				
																																						23220 CK+ H 2320	9.7/180	1																																				
SNA 617	75																																					160	110	137.5	215	112	40	320	380	70	32	26	24	1317 K + H 317	14.5/180	2																								
		2317 K + H 2317	10/180	1																																																																								
		21317 K + H 317	14.5/180	2																																																																								
		22317 K + H 2317	10/180	1																																																																								
SNA 522	100	175	120	147.5	239	125	45	350	410	80	32	26	24	1222 K + H 222	21/200	2																																																												
														2222 K + H 322	13.5/200	2																																																												
														22222 CK+ H 322	13.5/200	2																																																												
														23222 CK+ H 2322	10/200	1																																																												
SNA 619	85													175	120	147.5	239	125	45	350	410	80	32	26	24	22319 CK+ H 2319	13/200	1																																																
SNA 524	110																									185	120	157.5	271	140	45	350	410	86	32	26	24													22224 CK+ H 3124	14/215	2																								
																																																		23224 CK+ H 2324	10/215	1																								
																																																		22320 CK+ H 2320	13/215	1																								
SNA 620	90																																					185	120	157.5	271	140	45	350	410	86	32	26	24	22226 CK+ H 3126	13/230	2																								
23226 CK+ H 2326	10/230																																																	1																										
SNA 526	115																																																	190	130	167.5	290	150	50	380	445	90	35	28	24	22228 CK+ H 3128	15/250	2												
																																																														23228 CK+ H 2328	10/250	1												
SNA 528	125	205	150	177.5	302	150	50	420	500	98	42	35	30																																																	22230 CK+ H 3130	16.5/270	2												
																																																														23230 CK+ H 2330	10/270	1												
SNA 530	135																																																													220	160	192.5	323	160	60	450	530	106	42	35	30	22232 CK+ H 3132	17/290	2
																																																																										23232 CK+ H 2332	10/290	1
SNA 532	140													235	160	202.5	344	170	60	470	550	114	42	35	30																																																	22232 CK+ H 3132	17/290	2
																										23232 CK+ H 2332	10/290	1																																																

### SNH Series



Plummer Blocks Designation	Shaft Dia da mm	DIMENSION IN MM												Bearing with Adapter Sleeve	Locating Ring Size/TWO Nos. per Housing
		A	A1	Da	H	H1	H2	J	L	Ca	N	N1	G		
SNH 505	20	67	46	31.5	74	40	19	130	165	25	20	15	12	1205 EK + H 205 2205 EK + H 305 22205 EK + H 305	5/52 3.5/52 3.5/52
SNH 506	25	77	52	36.5	89	50	22	150	185	32	20	15	12	1206 EK + H 206 2206 EK + H 306 22206 EK+ H 306	8/62 6/62 6/62
SNH 605	20													1305 EK + H 305 2305 EK + H 2305	7.5/62 4/62
SNH 507	30	82	52	46.5	93	50	22	150	185	34	20	15	12	1207 EK + H 207 2207 EK + H 307 22207 EK+ H 307	8.5/72 5.5/72 5.5/72
SNH 606	25													1306 EK + H 306 2306 EK + H 306	7.5/72 3.5/72
SNH 508	35	85	60	51.5	107	60	25	170	205	39	20	15	12	1208 EK + H 208 2208 EK + H 308 22208 EK+ H 308	10.5/80 8/80 8/80
SNH 607	30													1307 EK + H 307 2307 EK + H 2307	9/80 4/80
SNH 509	40	85	60	56.5	109	60	25	170	205	30	20	15	12	1209 EK + H 209 2209 EK + H 309 22209 EK+ H 309	5.5/85 3.5/85 3.5/85
SNH 510	45													90	60
SNH 608	35	1308 EK + H 308 2308 EK + H 2308 21308CCK+ H 308 22308 EK+ H 2308	9/90 4/90 9/90 4/90												
SNH 511	50	95	70	67	127	70	28	210	255	44	24	18	16	1211 EK + H 211 2211 EK + H 311 22211 EK+ H 311	11.5/100 9.5/100 9.5/100
SNH 609	40													1309 EK + H 309 2309 EK + H 2309 21309CCK+ H 309 22309 EK+ H 2309	9.5/100 4/100 9.5/100 4/100

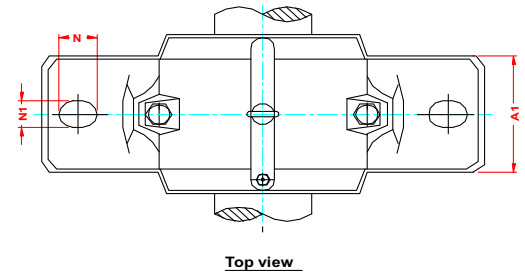
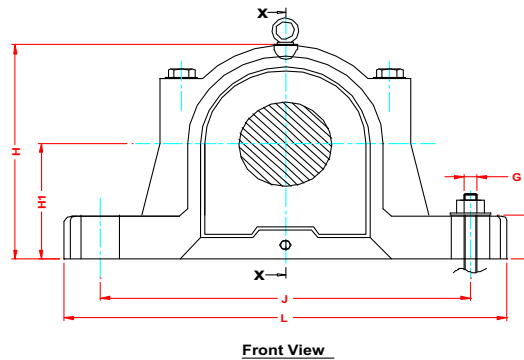
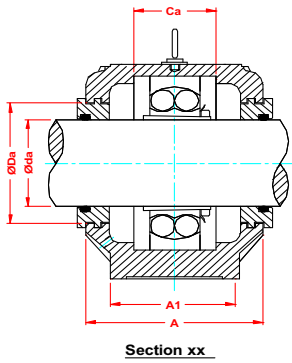
### SNH Series



Plummer Blocks Designation	Shaft Dia da mm	DIMENSION IN MM												Bearing with Adapter Sleeve	Locating Rings
		A	A1	Da	H	H1	H2	J	L	Ca	N	N1	G		
SNH 512	55	105	70	72	133	70	30	210	255	48	24	18	16	1212 EK + H 212 2212 EK + H 312 22212 EK+ H 312	13/110 10/110 10/110
SNH 610	45													1310 EK + H 310 2310 EK + H 2310 21310CCK+ H 310 22310 EK + H 2310	10.5/110 4/110 10.5/110 4/110
SNH 513	60	110	80	77	148	80	30	230	275	51	24	18	16	1213 EK + H 213 2213 EK + H 313 22213 EK+ H 313	14/120 10/120 10/120
SNH 611	50													1311 EK + H 311 2311 EK + H 2311 21311CCK+ H 311 22311 EK+ H 2311	11/120 4/120 11/120 4/120
SNH 515	65	115	80	87	154	80	30	230	280	56	24	18	16	1215 EK + H 215 2215 EK + H 315 22215 EK+ H 315	15.5/130 12.5/130 12.5/130
SNH 612	55													1312 EK + H 312 2312 EK + H 2312 21312CCK+ H 312 22312 EK+ H 2312	12.5/130 5/130 12.5/130 5/130
SNH 516	70	120	90	92.5	175	95	32	260	315	58	28	22	20	1216 EK + H 216 2216 EK + H 316 22216 EK+ H 316	16/140 12.5/140 12.5/140
SNH 613	60													1313 EK + H 313 2313 EK + H 2313 21313CCK+ H 313 22313 EK+ H 2313	12.5/140 5/140 12.5/140 5/140
SNH 517	75	125	90	97.5	183	95	32	260	320	61	28	22	20	1217 EK + H 217 2217 EK + H 317 22217 EK+ H 317	16.5/150 12.5/150 12.5/150
SNH 518	80	140	100	102.5	193	100	35	290	345	65	28	22	20	1218 EK + H 218 2218 EK + H 318 22218 EK+ H 318 23218CCK+ H 2318	17.5/160 12.5/160 12.5/160 6.25/160
SNH 615	65													1315 EK + H 315 2315 EK + H 2315 21315CCK+ H 315 22315 EK+ H 2315	14/160 5/160 14/160 5/160

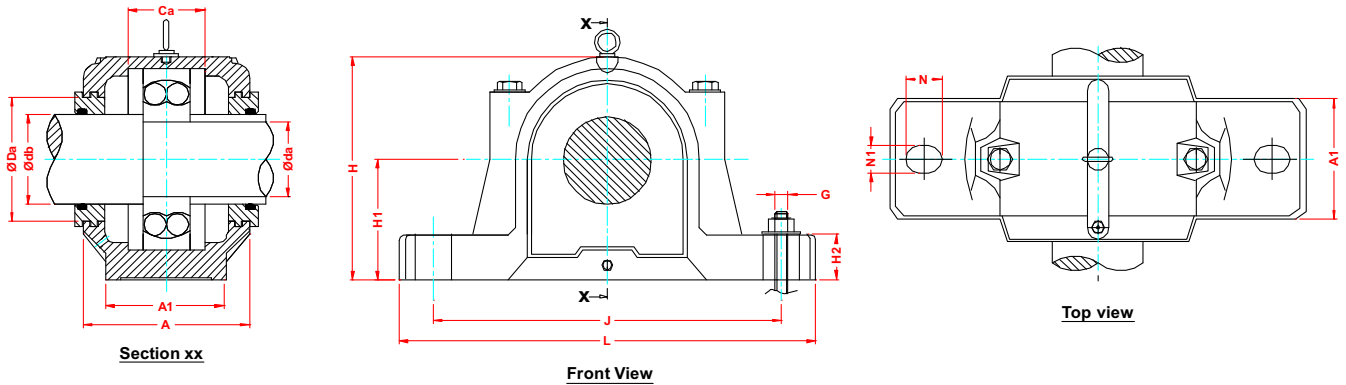


### SNH Series



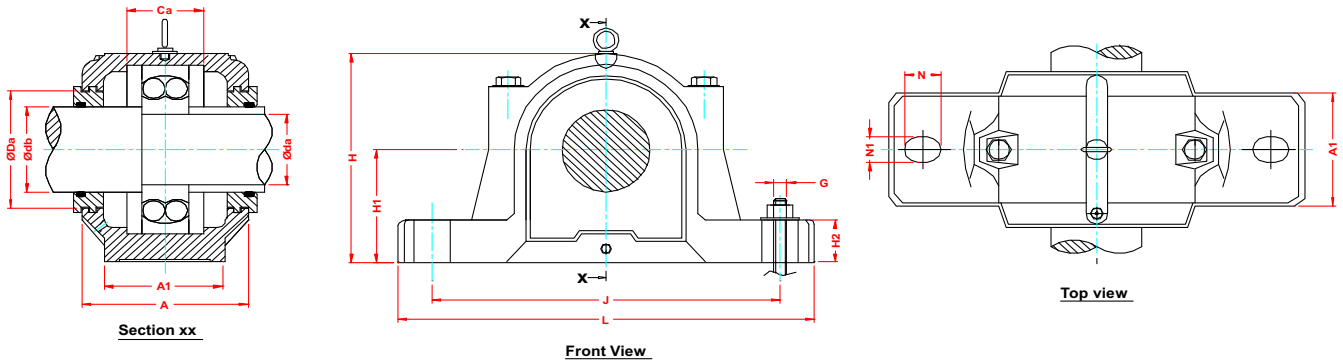
Plummer Blocks Designation	Shaft Dia da mm	DIMENSION IN MM												Bearing with Adapter Sleeve	Locating Rings
		A	A1	Da	H	H1	H2	J	L	Ca	N	N1	G		
SNH 519	85	145	100	131	210	112	35	290	345	68	28	22	20	1219 EK + H 219 2219 EK + H 319 22219 EK+ H 319	18/170 12.5/170 12.5/170
SNH 616	70													1316 EK + H 316 2316 EK + H 2316 21316CCK+ H 316 22316 EK+ H 2316	14.5/170 5/170 14.5/170 5/170
SNH 520	90	160	110	137.5	215	112	40	320	380	70	32	26	24	1220 EK + H 220 2220 EK + H 320 22220 EK+ H 320 23220CCK+ H 2320	18/180 12/180 12/180 4.85/180
SNH 617	75													1317 EK + H 317 2317 EK + H 2317 21317CCK+ H 317 22317 EK+ H 2317	14.5/180 5/180 14.5/180 5/180
SNH 522	100	175	120	147.5	239	125	45	350	410	80	32	26	24	1222 EK + H 222 2222 EK + H 322 22222 EK+ H 322 23222CCK+ H 2322	21/200 13.5/200 13.5/200 5.1/200
SNH 619	85													1319 EK + H 319 2319 EK + H 2319 21319CCK+ H 319 22319 EK+ H 2319	17.5/200 6.5/200 17.5/200 6.5/200
SNH 524	110	185	120	157.5	271	140	45	350	410	86	32	26	24	1224 EK + H 3124 22224 EK+ H 3124 23224CCK+ H 2324	22/215 14/215 5/215
SNH 620	90													1320 EK + H 320 2320 EK + H 2320 21320CCK+ H 320 22320 EK+ H 2320	19.5/215 6.5/215 19.5/215 6.5/215
SNH 526	115	190	130	167.5	290	150	50	380	445	90	35	28	24	22226 EK+ H 3126 23226CCK+ H 2326	13/230 5/230
SNH 528	125	205	150	177.5	302	150	50	420	500	98	42	35	30	22228CCK+ H 3128 23228CCK+ H 2328	15/250 5/250
SNH 530	135	220	160	192.5	323	160	60	450	530	106	42	35	30	22230CCK+ H 3130 23230CCK+ H 2330	16.5/270 5/270
SNH 532	140	235	160	202.5	344	170	60	470	550	114	42	35	30	22232CCK+ H 3132 23232CCK+ H 2332	17/290 5/290

### SNH Series



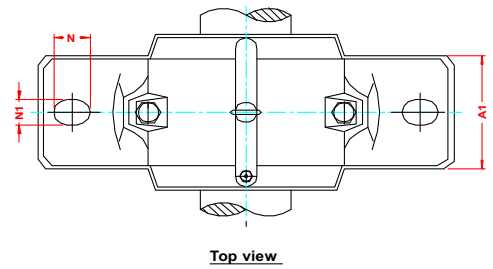
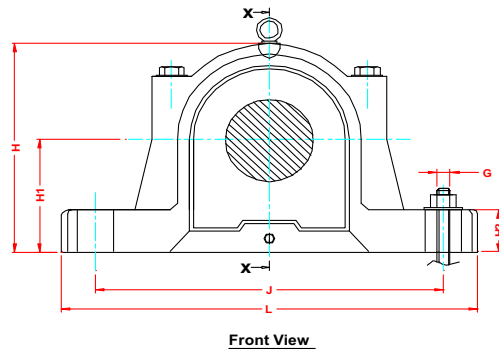
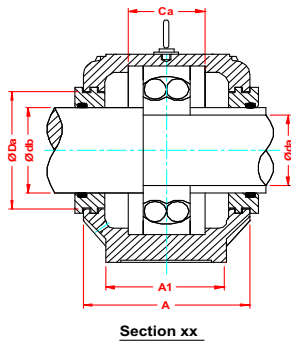
Plummer Blocks Designation	Shaft Dia da		DIMENSION IN MM												Bearing Number	Locating Ring Size/TWO Nos. per Housing
	da	db	A	A1	Da	H	H1	H2	J	L	Ca	N	N1	G		
SNH 205	25	30	67	46	36.5	74	40	19	130	165	25	20	15	12	1205 E 2205 E 22205 E	5/52 3.5/52 3.5/52
SNH 206	30	35	77	52	46.5	89	50	22	150	185	32	20	15	12	1206 E 2206 E 22206 E	8/62 6/62 6/62
SNH 305	25	30													1305 E 2305 E 21305 CC	7.5/62 4/62 7.5/62
SNH 207	35	45	82	52	56.5	93	50	22	150	185	34	20	15	12	1207 E 2207 E 22207 E	8.5/72 5.5/72 5.5/72
SNH 306	30	35													1306 E 2306 E 21306 CC	7.5/72 3.5/72 7.5/72
SNH 208	40	50	85	60	62	107	60	25	170	205	39	20	15	12	1208 E 2208 E 22208 E	10.5/80 8/80 8/80
SNH 307	35	45													1307 E 2307 E 21307 CC	9/80 4/80 9/80
SNH 209	45	55	85	60	67	109	60	25	170	205	30	20	15	12	1209 E 2209 E 22209 E	5.5/85 3.5/85 3.5/85
SNH 210	50	60	90	60	72	113	60	25	170	205	41	20	15	12	1210 E 2210 E 22210 E	10.5/90 9/90 9/90
SNH 308	40	50													1308 E 2308 E 21308CC 22308 E	9/90 4/90 9/90 4/90
SNH 211	55	65	95	70	77	127	70	28	210	255	44	24	18	16	1211 E 2211 E 22211 E	11.5/100 9.5/100 9.5/100
SNH 309	45	55													1309 E 2309 E 21309CC 22309 E	9.5/100 4/100 9.5/100 4/100

### SNH Series



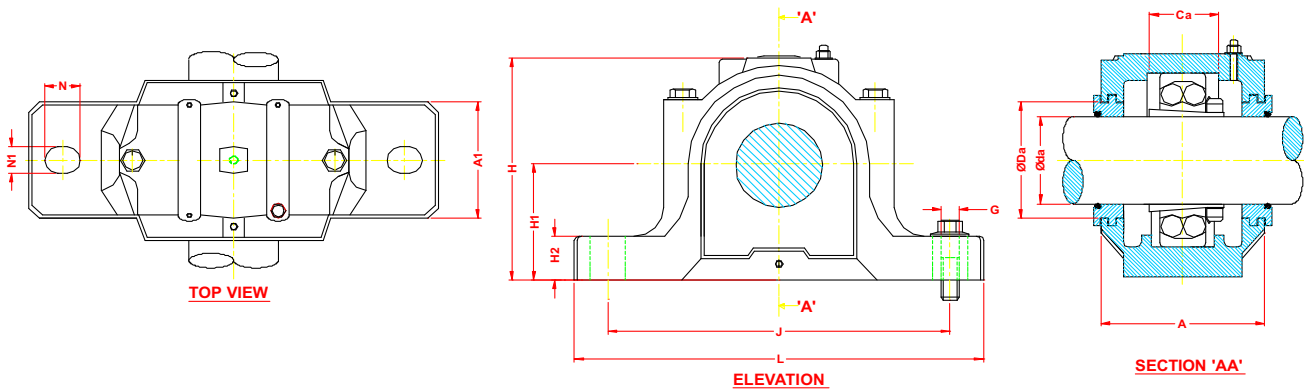
Plummer Blocks Designation	Shaft Dia		DIMENSION IN MM												Bearing Number	Locating Ring Size/TWO Nos. per Housing
	da	db	A	A1	Da	H	H1	H2	J	L	Ca	N	N1	G		
SNH 212	60	70	105	70	87	133	70	30	210	255	48	24	18	16	1212 E	13/110
															22212 E	10/110
SNH 310	50	60													1310 E	10.5/110
															2310 E	4/110
															21310CC	10.5/110
															22310 E	4/110
SNH 213	65	75	110	80	92.5	148	80	30	230	275	51	24	18	16	1213 E	14/120
															22213 E	10/120
SNH 311	55	65													1311 E	11/120
															2311 E	4/120
															2131CC	11/120
															22311 E	4/120
SNH 215	75	85	115	80	102.5	154	80	30	230	280	56	24	18	16	1215 E	15.5/130
															22215 E	12.5/130
SNH 312	60	70													1312 E	12.5/130
															2312 E	5/130
															21312CC	12.5/130
															22312 E	5/130
SNH 216	80	90	120	90	108	175	95	32	260	315	58	28	22	20	1216 E	16/140
															22216 E	12.5/140
SNH 313	65	75													1313 E	12.5/140
															2313 E	5/140
															21313CC	12.5/140
															22313 E	5/140
SNH 217	85	95	125	90	112	183	95	32	260	320	61	28	22	20	1217 E	16.5/150
															22217 E	12.5/150
SNH 314	70	80													1314 E	13/150
															2314 E	5/150
															21314CC	13/150
															22314 E	5/150
SNH 218	90	100	140	100	120	193	100	35	290	345	65	28	22	20	1218 E	17.5/160
															22218 E	12.5/160
															23218CC	6.25/160
SNH 315	75	85													1315 E	14/160
															2315 E	5/160
															21315CC	14/160
															22315 E	5/160

### SNH Series



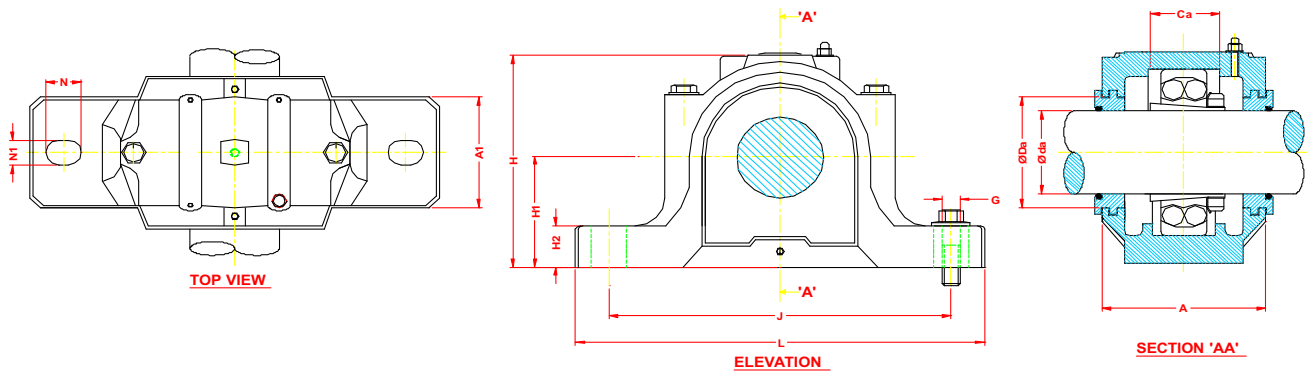
Plummer Blocks Designation	Shaft Dia		DIMENSION IN MM											Bearing Number	Locating Ring Size/TWO Nos. per Housing	
	da	db	A	A1	Da	H	H1	H2	J	L	Ca	N	N1			G
SNH 219	95	110	145	100	131	210	112	35	290	345	68	28	22	20	1219 E 2219 E 22219 E	18/170 12.5/170 12.5/170
SNH 316	80	90													1316 E 2316 E 21316CC 22316 E	14.5/170 5/170 14.5/170 5/170
SNH 220	100	115	160	110	137.5	215	112	40	320	380	70	32	26	24	1220 E 2220 E 22220 E 23220CC	18/180 12/180 12/180 4.85/180
SNH 317	85	95													1317 E 2317 E 21317CC 22317 E	14.5/180 5/180 14.5/180 5/180
SNH 222	110	125	175	120	147.5	239	125	45	350	410	80	32	26	24	1222 E 2222 E 22222 E 23222CC	21/200 13.5/200 13.5/200 5.1/200
SNH 319	95	110													1319 E 2319 E 21319CC 22319 E	17.5/200 6.5/200 17.5/200 6.5/200
SNH 224	120	135	185	120	157.5	271	140	45	350	410	86	32	26	24	1224 E 22224 E 23224CC	22/215 14/215 5/215
SNH 320	100	115													1320 E 2320 E 21320CC 22320 E	19.5/215 6.5/215 19.5/215 6.5/215
SNH 226	130	145	190	130	167.5	290	150	50	380	445	90	35	28	24	1226 E 22226 E 23226CC	22/230 13/230 5/230
SNH 228	140	155	205	150	177.5	302	150	50	420	500	98	42	35	30	22228CC 23228CC	15/250 5/250
SNH 230	150	165	220	160	192.5	323	160	60	450	530	106	42	35	30	22230CC 23230CC	16.5/270 5/270
SNH 232	160	175	235	160	202.5	344	170	60	470	550	114	42	35	30	22232CC 23232CC	17/290 5/290

### SNL Series



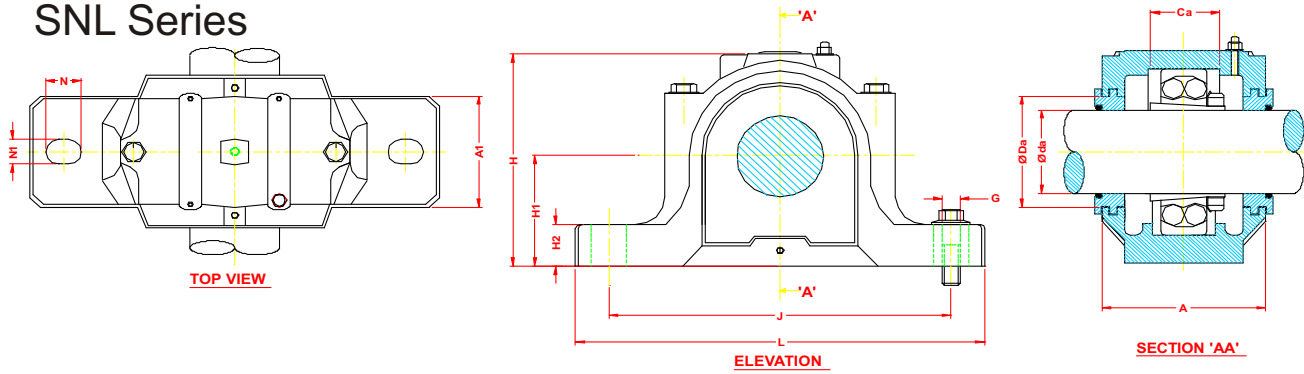
Plummer Blocks Designation	Shaft Dia da mm	DIMENSION IN MM												Bearing with Adapter Sleeve	Locating Ring Size/TWO Nos. per Housing
		A	A1	Da	H	H1	H2	J	L	Ca	N	N1	G		
SNL 505	20	67	46	31.5	74	40	19	130	165	25	20	15	12	1205 EK + H 205 2205 EK + H 305 22205 EK + H 305	5/52 3.5/52 3.5/52
SNL 506	25	77	52	36.5	89	50	22	150	185	32	20	15	12	1206 EK + H 206 2206 EK + H 306 22206 EK+ H 306	8/62 6/62 6/62
SNL 605	20													1305 EK + H 305 2305 EK + H 2305	7.5/62 4/62
SNL 507	30	82	52	46.5	93	50	22	150	185	34	20	15	12	1207 EK + H 207 2207 EK + H 307 22207 EK+ H 307	8.5/72 5.5/72 5.5/72
SNL 606	25													1306 EK + H 306 2306 EK + H 2306	7.5/72 3.5/72
SNL 508	35	85	60	51.5	107	60	25	170	205	39	20	15	12	1208 EK + H 208 2208 EK + H 308 22208 EK+ H 308	10.5/80 8/80 8/80
SNL 607	30				108									1307 EK + H 307 2307 EK + H 2307	9/80 4/80
SNL 509	40	85	60	56.5	109	60	25	170	205	30	20	15	12	1209 EK + H 209 2209 EK + H 309 22209 EK+ H 309	5.5/85 3.5/85 3.5/85
SNL 510	45	90	60	62	113	60	25	170	205	41	20	15	12	1210 EK + H 210 2210 EK + H 310 22210 EK+ H 310	10.5/90 9/90 9/90
SNL 608	35													1308 EK + H 308 2308 EK + H 2308 21308CCK+ H 308 22308 EK+ H 2308	9/90 4/90 9/90 4/90
SNL 511	50	95	70	67	127	70	28	210	255	44	24	18	16	1211 EK + H 211 2211 EK + H 311 22211 EK+ H 311	11.5/100 9.5/100 9.5/100
SNL 609	40													1309 EK + H 309 2309 EK + H 2309 21309CCK+ H 309 22309 EK+ H 2309	9.5/100 4/100 9.5/100 4/100

### SNL Series



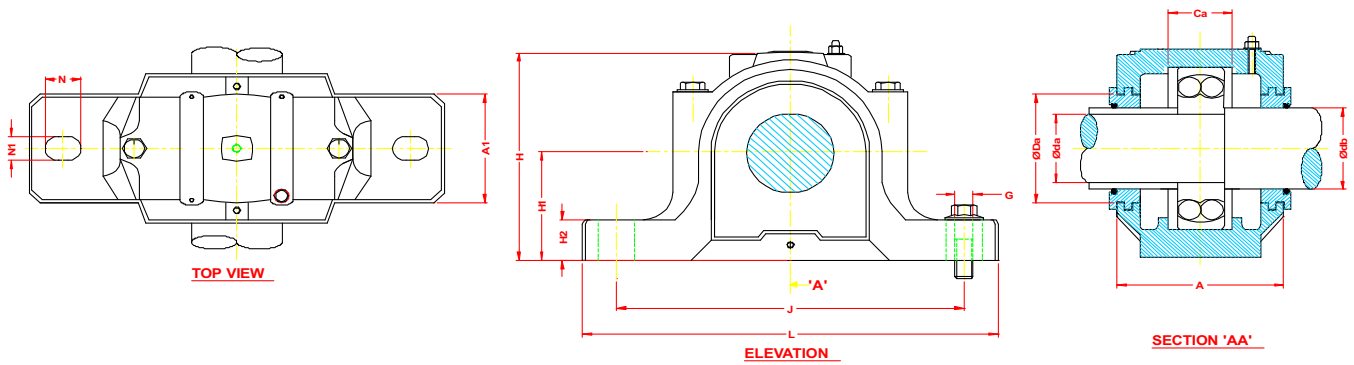
Plummer Blocks Designation	Shaft Dia da mm	DIMENSION IN MM												Bearing with Adapter Sleeve	Locating Rings
		A	A1	Da	H	H1	H2	J	L	Ca	N	N1	G		
SNL 512	55	105	70	72	134	70	30	210	255	48	24	18	16	1212 EK + H 212 2212 EK + H 312 22212 EK+ H 312	13/110 10/110 10/110
SNL 610	45				133									1310 EK + H 310 2310 EK + H 2310 21310CCK+ H 310 22310 EK + H 2310	10.5/110 4/110 10.5/110 4/110
SNL 513	60	110	80	77	149	80	30	230	275	51	24	18	16	1213 EK + H 213 2213 EK + H 313 22213 EK+ H 313	14/120 10/120 10/120
SNL 611	50				148									1311 EK + H 311 2311 EK + H 2311 21311CCK+ H 311 22311 EK+ H 2311	11/120 4/120 11/120 4/120
SNL 515	65	115	80	87	154	80	30	230	280	56	24	18	16	1215 EK + H 215 2215 EK + H 315 22215 EK+ H 315	15.5/130 12.5/130 12.5/130
SNL 612	55													1312 EK + H 312 2312 EK + H 2312 21312CCK+ H 312 22312 EK+ H 2312	12.5/130 5/130 12.5/130 5/130
SNL 516	70	120	90	92.5	177	95	32	260	315	58	28	22	20	1216 EK + H 216 2216 EK + H 316 22216 EK+ H 316	16/140 12.5/140 12.5/140
SNL 613	60				175									1313 EK + H 313 2313 EK + H 2313 21313CCK+ H 313 22313 EK+ H 2313	12.5/140 5/140 12.5/140 5/140
SNL 517	75	125	90	97.5	183	95	32	260	320	61	28	22	20	1217 EK + H 217 2217 EK + H 317 22217 EK+ H 317	16.5/150 12.5/150 12.5/150
SNL 518	80	140	100	102.5	194	100	35	290	345	65	28	22	20	1218 EK + H 218 2218 EK + H 318 22218 EK+ H 318 23218CCK+ H 2318	17.5/160 12.5/160 12.5/160 6.25/160
SNL 615	65				193									1315 EK + H 315 2315 EK + H 2315 21315CCK+ H 315 22315 EK+ H 2315	14/160 5/160 14/160 5/160

### SNL Series



Plummer Blocks Designation	Shaft Dia da mm	DIMENSION IN MM												Bearing with Adapter Sleeve	Locating Rings
		A	A1	Da	H	H1	H2	J	L	Ca	N	N1	G		
SNL 519	85	145	100	131	212	112	35	290	345	68	28	22	20	1219 EK + H 219	18/170
SNL 616	70				210									2219 EK + H 319	12.5/170
														22219 EK+ H 319	12.5/170
SNL 520	90	160	110	137.5	218	112	40	320	380	70	32	26	24	1316 EK + H 316	14.5/170
														2316 EK + H 2316	5/170
														21316CCK+ H 316	14.5/170
														22316 EK+ H 2316	5/170
SNL 617	75				215									1220 EK + H 220	18/180
														2220 EK + H 320	12/180
														22220 EK+ H 320	12/180
														23220CCK+ H 2320	4.85/180
SNL 522	100	175	120	147.5	242	125	45	350	410	80	32	26	24	1317 EK + H 317	14.5/180
														2317 EK + H 2317	5/180
														21317CCK+ H 317	14.5/180
														22317 EK+ H 2317	5/180
SNL 619	85				239									1222 EK + H 222	21/200
														2222 EK + H 322	13.5/200
														22222 EK+ H 322	13.5/200
														23222CCK+ H 2322	5.1/200
SNL 524	110	185	120	157.5	271	140	45	350	410	86	32	26	24	1319 EK + H 319	17.5/200
														2319 EK + H 2319	6.5/200
														21319CCK+ H 319	17.5/200
														22319 EK+ H 2319	6.5/200
SNL 524	110	185	120	157.5	271	140	45	350	410	86	32	26	24	1224 EK + H 3124	22/215
														22224 EK+ H 3124	14/215
														23224CCK+ H 2324	5/215
SNL 620	90													1320 EK + H 320	19.5/215
														2320 EK + H 2320	6.5/215
														21320CCK+ H 320	19.5/215
														22320 EK+ H 2320	6.5/215
SNL 526	115	190	130	167.5	290	150	50	380	445	90	35	28	24	22226 EK+ H 3126	13/230
														23226CCK+ H 2326	5/230
SNL 528	125	205	150	177.5	302	150	50	420	500	98	42	35	30	22228CCK+ H 3128	15/250
														23228CCK+ H 2328	5/250
SNL 530	135	220	160	192.5	323	160	60	450	530	106	42	35	30	22230CCK+ H 3130	16.5/270
														23230CCK+ H 2330	5/270
SNL 532	140	235	160	202.5	344	170	60	470	550	114	42	35	30	22232CCK+ H 3132	17/290
														23232CCK+ H 2332	5/290

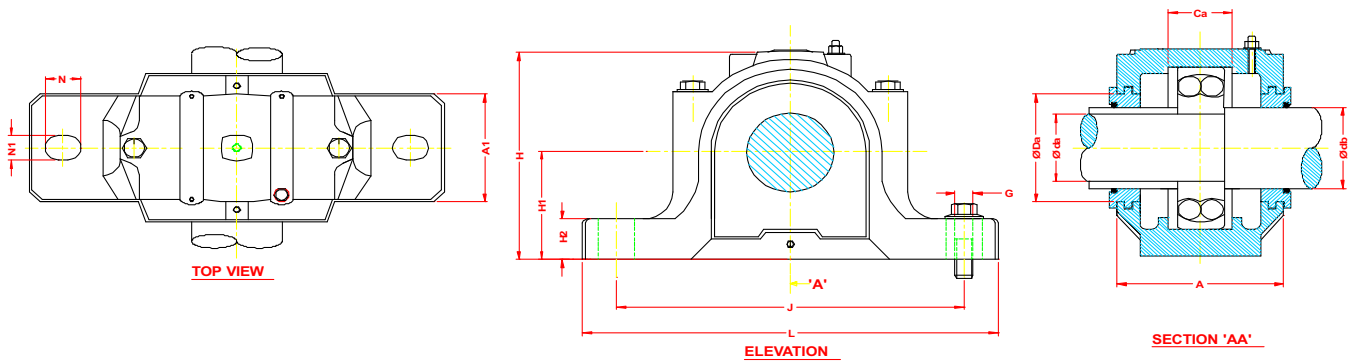
### SNL Series



Plummer Blocks Designation	Shaft Dia		DIMENSION IN MM											Bearing Number	Locating Ring Size/TWO Nos. per Housing	
	da	db	A	A1	Da	H	H1	H2	J	L	Ca	N	N1			G
SNL 205	25	30	67	46	36.5	74	40	19	130	165	25	20	15	12	1205 E 2205 E 22205 E	5/52 3.5/52 3.5/52
SNL 206	30	35	77	52	46.5	89	50	22	150	185	32	20	15	12	1206 E 2206 E 22206 E	8/62 6/62 6/62
SNL 305	25	30													1305 E 2305 E 21305 CC	7.5/62 4/62 7.5/62
SNL 207	35	45	82	52	56.5	93	50	22	150	185	34	20	15	12	1207 E 2207 E 22207 E	8.5/72 5.5/72 5.5/72
SNL 306	30	35													1306 E 2306 E 21306 CC	7.5/72 3.5/72 7.5/72
SNL 208	40	50	85	60	62	108	60	25	170	205	39	20	15	12	1208 E 2208 E 22208 E	10.5/80 8/80 8/80
SNL 307	35	45													1307 E 2307 E 21307 CC	9/80 4/80 9/80
SNL 209	45	55	85	60	67	109	60	25	170	205	30	20	15	12	1209 E 2209 E 22209 E	5.5/85 3.5/85 3.5/85
SNL 210	50	60	90	60	72	113	60	25	170	205	41	20	15	12	1210 E 2210 E 22210 E	10.5/90 9/90 9/90
SNL 308	40	50													1308 E 2308 E 21308CC 22308 E	9/90 4/90 9/90 4/90
SNL 211	55	65	95	70	77	128	70	28	210	255	44	24	18	16	1211 E 2211 E 22211 E	11.5/100 9.5/100 9.5/100
SNL 309	45	55													1309 E 2309 E 21309CC 22309 E	9.5/100 4/100 9.5/100 4/100

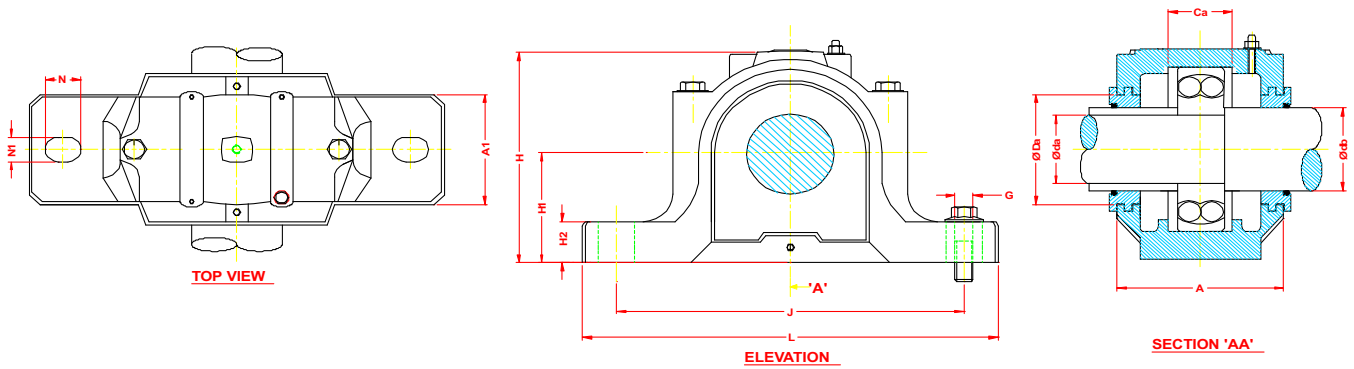


### SNL Series



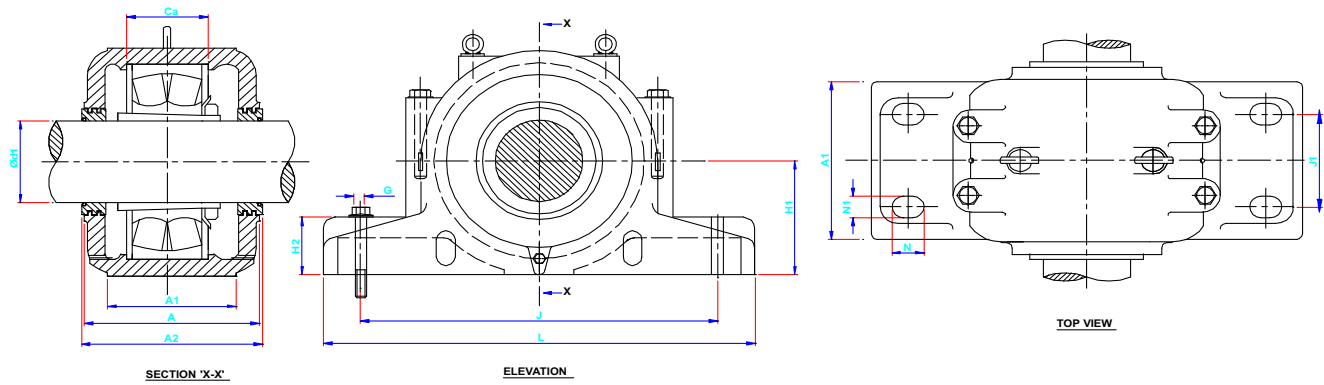
Plummer Blocks Designation	Shaft Dia		DIMENSION IN MM												Bearing Number	Locating Ring Size/TWO Nos. per Housing												
	da	db	A	A1	Da	H	H1	H2	J	L	Ca	N	N1	G														
SNL 212	60	70	105	70	87	134	70	30	210	255	48	24	18	16	1212 E	13/110												
																											2212 E	10/110
																												22212 E
SNL 310	50	60													1310 E	10.5/110												
															2310 E	4/110												
															21310CC	10.5/110												
															22310 E	4/110												
SNL 213	65	75	110	80	92.5	149	80	30	230	275	51	24	18	16	1213 E	14/120												
																											2213 E	10/120
																												22213 E
SNL 311	55	65													1311 E	11/120												
															2311 E	4/120												
															2131CC	11/120												
															22311 E	4/120												
SNL 215	75	85	115	80	102.5	155	80	30	230	280	56	24	18	16	1215 E	15.5/130												
																											2215 E	12.5/130
																												22215 E
SNL 312	60	70													1312 E	12.5/130												
															2312 E	5/130												
															21312CC	12.5/130												
															22312 E	5/130												
SNL 216	80	90	120	90	108	177	95	32	260	315	58	28	22	20	1216 E	16/140												
																											2216 E	12.5/140
																												22216 E
SNL 313	65	75													1313 E	12.5/140												
															2313 E	5/140												
															21313CC	12.5/140												
															22313 E	5/140												
SNL 217	85	95	125	90	112	183	95	32	260	320	61	28	22	20	1217 E	16.5/150												
																											2217 E	12.5/150
																												22217 E
SNL 314	70	80													1314 E	13/150												
															2314 E	5/150												
															21314CC	13/150												
															22314 E	5/150												
SNL 218	90	100	140	100	120	194	100	35	290	345	65	28	22	20	1218 E	17.5/160												
																											2218 E	12.5/160
																											22218 E	12.5/160
																											23218CC	6.25/160
SNL 315	75	85													1315 E	14/160												
															2315 E	5/160												
															21315CC	14/160												
															22315 E	5/160												

### SNL Series



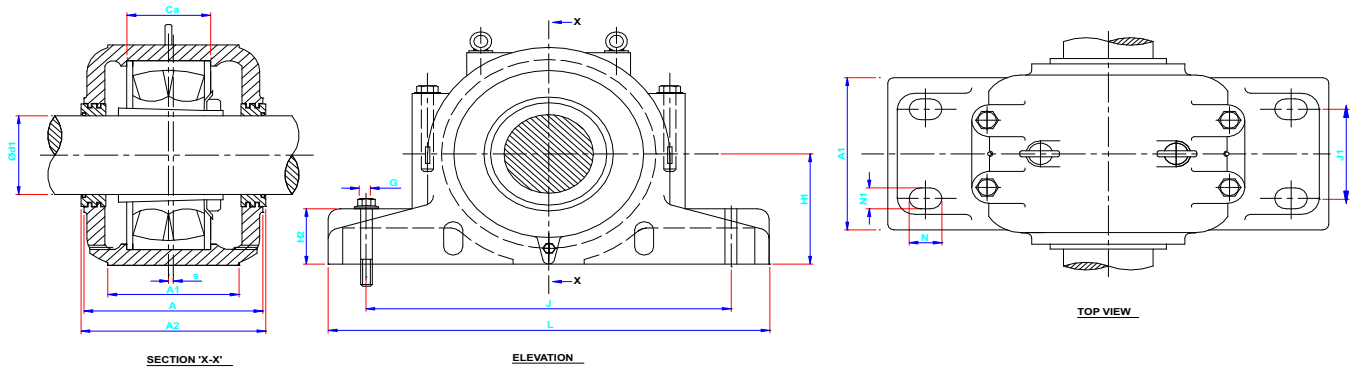
Plummer Blocks Designation	Shaft Dia		DIMENSION IN MM												Bearing Number	Locating Ring Size/TWO Nos. per Housing
	da	db	A	A1	Da	H	H1	H2	J	L	Ca	N	N1	G		
SNL 219	95	110	145	100	131	210	112	35	290	345	68	28	22	20	1219 E 2219 E 22219 E	18/170 12.5/170 12.5/170
SNL 316	80	90				212									1316 E 2316 E 21316CC 22316 E	14.5/170 5/170 14.5/170 5/170
SNL 220	100	115	160	110	137.5	218	112	40	320	380	70	32	26	24	1220 E 2220 E 22220 E 23220CC	18/180 12/180 12/180 4.85/180
SNL 317	85	95													1317 E 2317 E 21317CC 22317 E	14.5/180 5/180 14.5/180 5/180
SNL 222	110	125	175	120	147.5	242	125	45	350	410	80	32	26	24	1222 E 2222 E 22222 E 23222CC	21/200 13.5/200 13.5/200 5.1/200
SNL 319	95	110													1319 E 2319 E 21319CC 22319 E	17.5/200 6.5/200 17.5/200 6.5/200
SNL 224	120	135	185	120	157.5	271	140	45	350	410	86	32	26	24	1224 E 2224 E 23224CC	22/215 14/215 5/215
SNL 320	100	115													1320 E 2320 E 21320CC 22320 E	19.5/215 6.5/215 19.5/215 6.5/215
SNL 226	130	145	190	130	167.5	290	150	50	380	445	90	35	28	24	1226 E 22226 E 23226CC	22/230 13/230 5/230
SNL 228	140	155	205	150	177.5	302	150	50	420	500	98	42	35	30	22228CC 23228CC	15/250 5/250
SNL 230	150	165	220	160	192.5	323	160	60	450	530	106	42	35	30	22230CC 23230CC	16.5/270 5/270
SNL 232	160	175	235	160	202.5	344	170	60	470	550	114	42	35	30	22232CC 23232CC	17/290 5/290

### SD Series



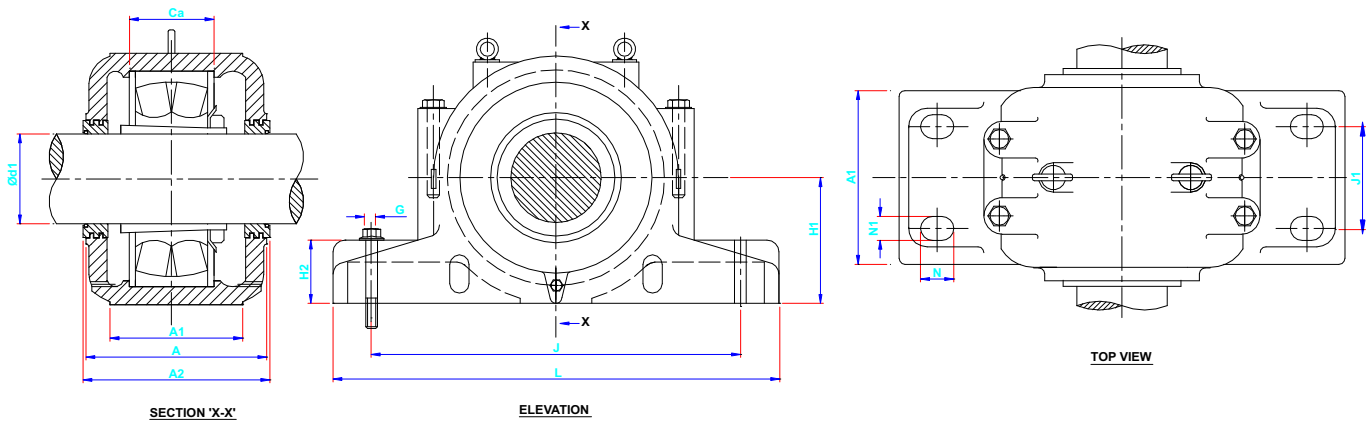
Plummer Block Designation	Shaft dia d1	HOUSING DIMENSION IN MM													Brg Dia D	Appropriate Bearing and Adapter Sleeve No.	1 No Locating Ring Size
		L	J	J1	H2	H1	H	A1	A	Ca	N	N1	G	A2			
SD 3340	180	620	510	140	60	180	360	230	270	92	52	32	M30	280	310	23040K + H3040	10 x 310
SD 3344	200	700	570	160	65	200	400	260	290	100	55	35	M30	300	340	23044K + H3044	10 x 340
SD 3348	220	740	610	170	65	210	420	270	300	102	55	35	M30	310	360	23048K + H3048	10 x 360
SD 3352	240	820	680	190	70	240	475	300	330	114	60	40	M36	340	400	23052K + H3052	10 x 400
SD 3356	250	860	710	200	85	250	500	320	350	116	62	42	M36	360	420	23056K + H3056	10 x 420
SD 3360	280	920	770	210	85	280	550	330	360	128	62	42	M36	370	460	23060K + H3060	10 x 460
SD 3364	300	940	790	210	85	280	560	340	370	131	62	42	M36	380	480	23064K + H3064	10 x 480
SD 3368	320	1020	860	230	100	310	615	370	400	143	70	50	M42	410	520	23068K + H3068	10 x 520
SD 3372	340	1060	890	250	100	325	640	390	410	144	70	50	M42	420	540	23072K + H3072	10 x 540
SD 3376	360	1080	900	260	100	340	665	390	410	145	70	50	M42	420	560	23076K + H3076	10 x 560

### SD Series



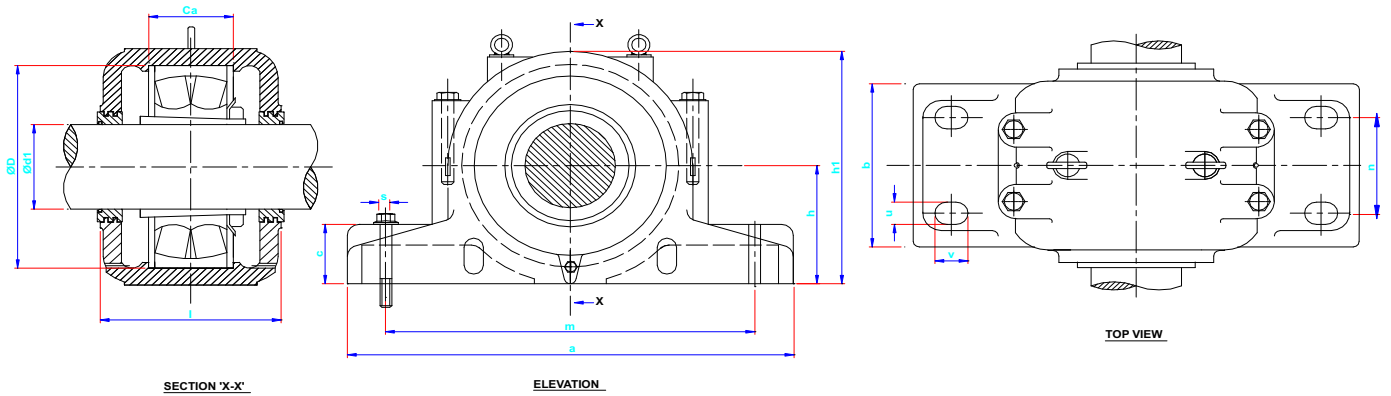
Housing No.	DIMENSION IN MM															Bearing with Adapter Sleeve No	Appropriate Locating Ring 2Nos. per housing
	d1	A	A1	A2	H	H1	H2	L	J	J1	S	G	Ca	N	N1		
SD 3134	150	230	180	240	335	170	70	510	430	100	14	24	108	34	28	23134 CK+H3134	FRB 10/280
SD 3136	160	240	190	250	355	180	75	530	450	110	15	24	116	34	28	23136 CK+H3136	FRB 10/300
SD 3138	170	260	210	270	375	190	80	560	480	120	10	24	124	34	28	23138 CK +H3138	FRB 10/320
SD 3140	180	280	230	290	410	210	85	610	510	130	10	30	132	42	35	23140 CK+H3140	FRB 10/340
SD 3144	200	290	240	300	435	220	90	640	540	140	12	30	140	42	35	23144CK+3144A	FRB 10/370
SD 3148	220	310	260	320	475	240	95	700	600	150	12	30	148	42	35	23148CK+H3148A	FRB 10/400
SD 3152	240	320	280	330	515	260	100	770	650	160	13	36	164	50	42	23152CK+H3152A	FRB 10/440
SD 3156	260	320	280	330	550	280	105	790	670	160	16	36	166	50	42	23156CK+H3156A	FRB 10/460
SD 3160	280	350	310	360	590	300	110	830	710	190	22	36	180	50	42	23160CK+H3160	FRB 10/500
SD 3164	300	370	330	380	630	320	115	880	750	200	23	36	196	50	42	23164 CK+H3164	FRB 10/540

### SD Series



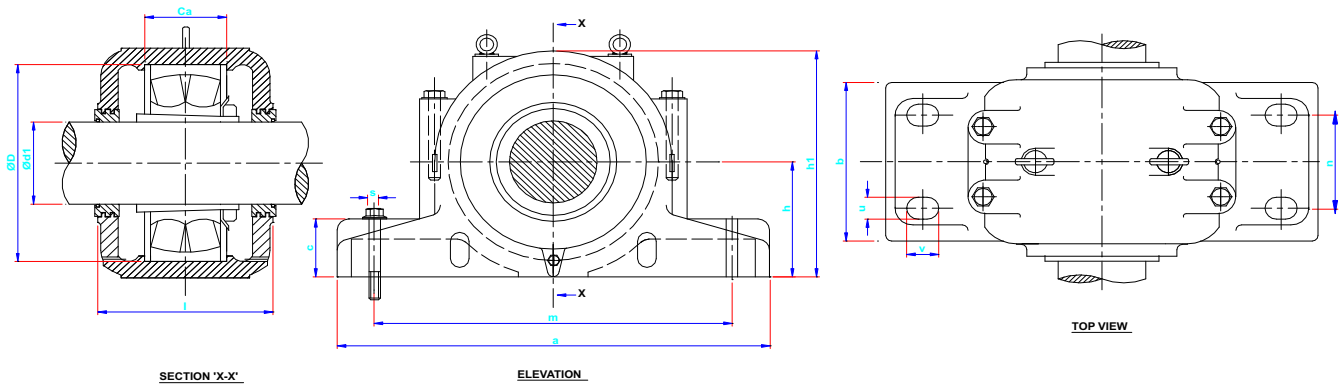
Housing No.	Bearing with Adapter Sleeve No.	DIMENSION IN MM														Locating Ring Size Two Nos. Per housing	Ca Total Bearing width
		d1	A	A1	A2	H	H1	H2	L	J	J1	S	G	N	N1		
SD 3052 TS	23052 CK + H 3052	240	310	260	320	475	240	95	700	600	150	12	30	42	35	10/400	124
SD 3056 TS	23056 CK + H 3056	260	320	280	330	515	260	100	770	650	160	13	36	50	42	10/420	126
SD 3060 TS	23060 CK + H 3060	280	320	280	330	550	280	105	790	670	160	16	36	50	42	10/460	138
SD 3064 TS	23064 CK + H 3064	300	350	310	360	590	300	110	830	710	190	22	36	50	42	10/480	141
SD 3068 TS	23068CK + H 3068	320	370	330	380	630	320	115	880	750	200	23	36	50	42	10/520	153
SD 3072 TS	23072 CK + H 3072	340	370	330	380	630	320	115	880	750	200	23	36	50	42	10/540	154
SD 3076 TS	23076 CK + H3076	360	390	350	400	670	340	120	930	790	210	25	36	50	42	10/560	155
SD 3080 TS	23080 CK + H 3080	380	410	350	420	720	365	145	980	840	210	12	36	50	42	10/600	168

### SD Series



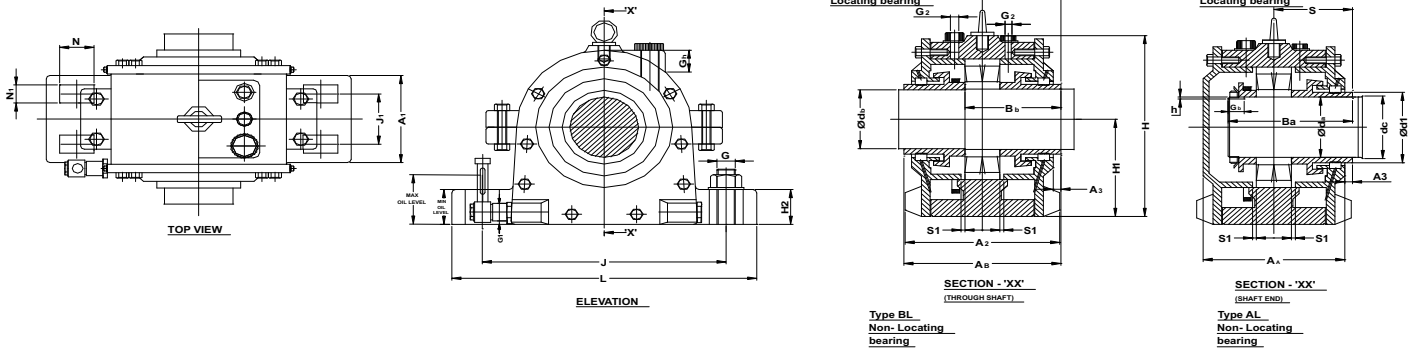
Housing No.	Bearing with Adapter Sleeve No.	DIMENSION IN MM													Locating Ring Size/Two Nos. Per Housing	Total Bearing width
		d1	a	b	c	l	h	h1	m	n	v	u	s	D		
SD 530	22230 CK + H 3130	135	550	220	55	240	160	320	450	120	45	33	27	270	10/270	93
SD 532	22232 CK + H 3132	140	580	230	55	250	170	340	480	130	45	33	27	290	10/290	100
SD 534	22234 CK + H 3134	150	620	250	60	270	180	360	510	140	50	36	30	310	10/310	106
SD 536	22236 CK + H 3136	160	650	260	60	280	190	380	540	150	50	36	30	320	10/320	106
SD 538	22238 CK + H 3138	170	700	280	65	290	200	400	570	160	55	40	33	340	10/340	112
SD 540	22240 CK + H 3140	180	740	290	65	300	210	420	610	170	55	40	33	360	10/360	118
SD 544	22244 CK + H 3144	200	820	320	70	330	240	475	680	190	62	42	36	400	10/400	128
SD 548	22248 CK + H 3148	220	880	330	85	340	260	515	740	200	65	45	39	440	10/440	140
SD 552	22252 CK + H 3152	240	940	360	85	370	280	555	790	210	65	45	39	480	10/480	150
SD 556	22256 CK + H 3156	260	990	380	100	390	300	590	830	230	77	52	45	500	10/500	150
SD 560	22260 CK + H 3160	280	1060	400	100	410	325	640	890	250	77	52	45	540	10/540	160

### SD Series



Housing No.	Bearing with Adapter Sleeve No.	DIMENSION IN MM														Locating Ring Size/Two Nos. Per housing	Total Bearing width mm
		d1	a	b	c	l	h	h1	m	n	v	u	s		D		
													mm	inch			
SD 628	22328 CK + H 2328	125	580	230	55	250	170	340	480	130	45	33	M 27	1-1/16	300	10/300	122
SD 630	22330 CK + H 2330	135	650	260	60	280	190	380	540	150	50	36	M 30	1-1/8	320	10/320	128
SD 632	22332 CK + H 2332	140	700	280	65	290	200	400	570	160	55	40	M 33	1-1/4	340	10/340	134
SD 634	22334 CK + H 2334	150	740	290	65	300	210	420	610	170	55	40	M 33	1-1/4	360	10/360	140
SD 636	22336 CK + H 2336	160	780	310	70	320	225	450	640	180	62	42	M 36	1-3/8	380	10/380	146
SD 638	22338 CK + H 2338	170	820	320	70	330	240	475	680	190	62	42	M 36	1-3/8	400	10/400	152
SD 640	22340CK + H 2340	180	860	340	85	350	250	500	710	200	65	45	M 39	1-1/2	420	10/420	158
SD 644	22344 CK + H 2344	200	920	350	85	360	280	550	770	210	65	45	M 39	1-1/2	460	10/460	165
SD 648	22348 CK + H 2348	220	990	380	100	390	300	590	830	230	77	52	M 45	1-3/4	500	10/500	175
SD 652	22352 CK + H 2352	240	1060	400	100	410	325	640	890	250	77	52	M 45	1-3/4	540	10/540	185

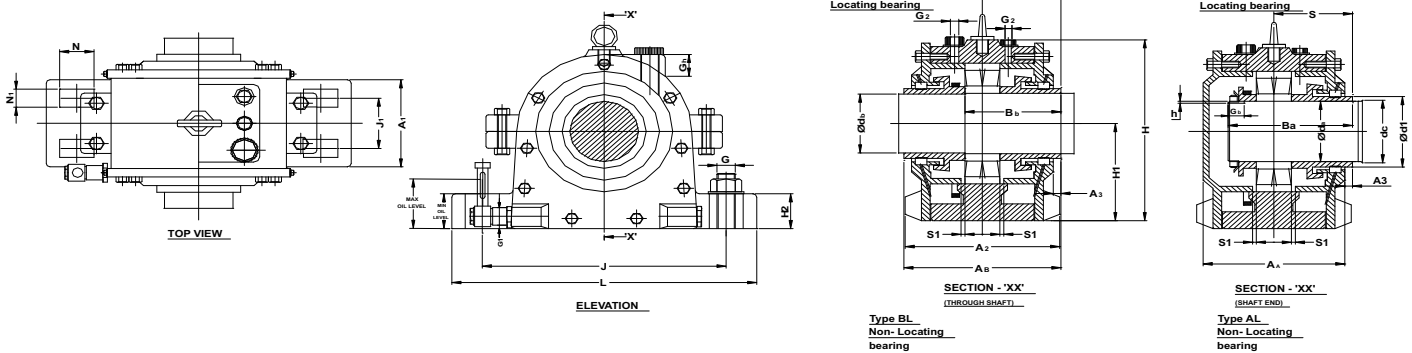
### SOFN Series



Bearing Housing Designation	Shaft diameter		dc min	AA	AB	A1	A2	A3	G	Gh	H	H1	H2	J	J1	L	N	N1	S	d1	S1	G1	G2	Ba	Bb	Suitable for Bearing
	da	db																								
SOFN 310	50	49	56	142.5	150	92	145	7.5	M16	27	168	95	30	210	50	270	30	19	75	58	3	R1/4	R3/8	128	92	22310 CC
SOFN 311	55	53	61	147.5	155	95	148	7.5	M16	27	180	100	30	233	50	290	33	19	77.5	65	3	R1/4	R3/8	134	96	22311 CC
SOFN 212	60	58	66	142.5	150	92	145	7.5	M16	27	168	95	30	210	50	270	30	19	75	70	3	R1/4	R3/8	128	86	22212 CC
SOFN 312	60	58	66	162.5	170	100	152	7.5	M16	27	198	110	30	230	55	290	34	19	85	70	5	R1/4	R3/8	147	105	22312 CC
SOFN 213	65	63	71	147.5	155	95	148	7.5	M16	27	180	100	30	233	50	290	34	19	77.5	75	3	R1/4	R3/8	134	90	22213 CC
SOFN 313	65	63	71	172.5	180	110	182	7.5	M20	27	230	125	35	260	60	330	40	24	90	75	3	R1/4	R3/8	153	110.5	22313 CC
SOFN 214	70	68	76	162.5	170	100	152	7.5	M16	27	198	110	30	230	55	290	34	19	85	80	5	R1/4	R3/8	136	98	22214 CC
SOFN 314	70	68	76	172.5	180	110	182	7.5	M20	27	230	125	35	260	60	330	40	24	90	80	5	R1/2	R3/8	126	112	22314 CC
SOFN 215	75	73	81	172.5	170	100	152	7.5	M16	27	198	110	30	230	55	290	34	19	85	85	5	R1/4	R3/8	145	98	22215 CC
SOFN 315	75	73	81	180	190	120	190	10	M20	27	245	135	45	290	70	360	40	24	95	85	5	R1/2	R3/8	161	119.5	22315 CC
SOFN 216	80	78	86	172.5	180	110	182	7.5	M20	27	230	125	35	260	60	330	40	24	90	95	5	R1/2	R3/8	149	103	22216 CC
SOFN 316	80	78	86	199	214	135	210	15	M20	27	255	140	40	290	80	360	40	24	107	95	5	R1/2	R3/8	181	133	22316 CC
SOFN 217	85	83	91	172.5	180	110	182	7.5	M20	27	230	125	35	260	60	330	40	24	90	96	5	R1/2	R3/8	150	105	22217 CC
SOFN 317	85	83	91	206	206	130	205	10	M24	27	270	145	50	320	75	400	45	28	103	96	5	R1/2	R1/2	188	130	22317 CC
SOFN 218	90	88	96	180	190	120	190	10	M20	27	245	135	45	290	70	360	40	24	95	100	5	R1/2	R3/8	161	112	22218 CC
SOFN 318	90	88	96	225	240	165	246	15	M24	32	280	155	50	317	95	400	45	28	120	104	5	R1/2	R1/2	198	148	22318 CC
SOFN 219	95	93	101	192	200	135	210	8	M20	27	255	140	40	290	80	360	40	24	100	105	5	R1/2	R3/8	171	118	22219 CC
SOFN 319	95	93	101	240	224	145	216	13	M24	27	290	160	50	347	75	420	45	28	114.5	105	5	R1/2	R1/2	211	145	22319 CC
SOFN 220	100	98	106	196	206	130	205	10	M24	27	270	145	50	320	75	400	45	28	103	110	5	R1/2	R3/8	177	123	22220 CC
SOFN 320	100	98	108	255	270	170	245	15	M24	27	315	170	55	347	90	420	45	28	135	115	8	R1/2	R1/2	226	168	22320 CC

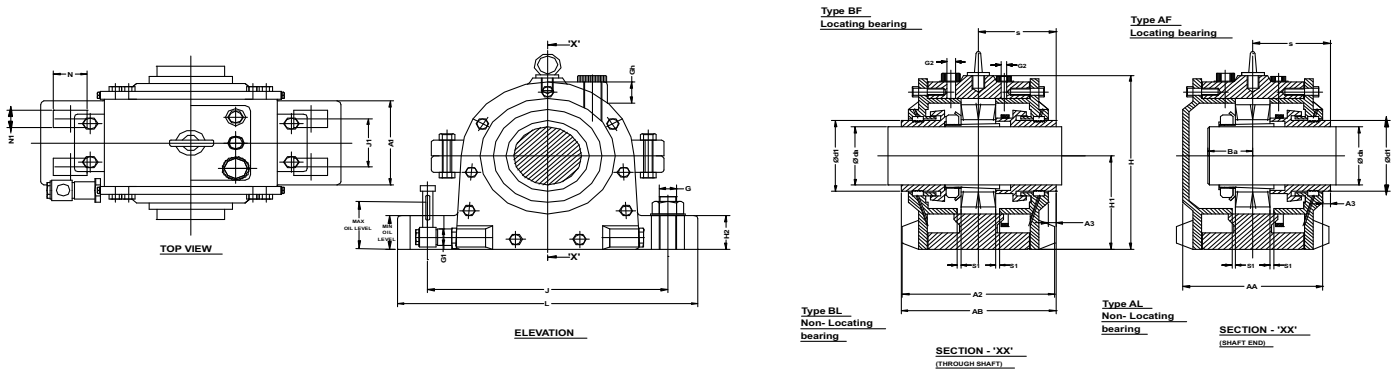


### SOFN Series



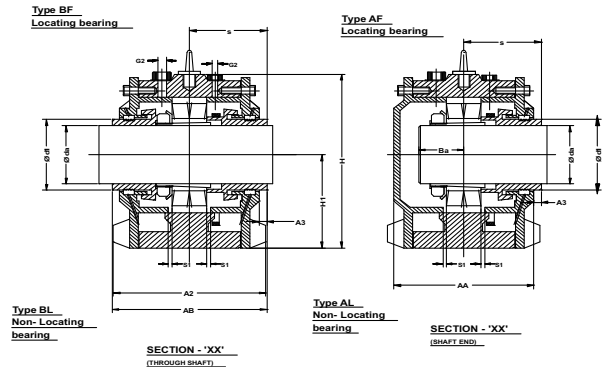
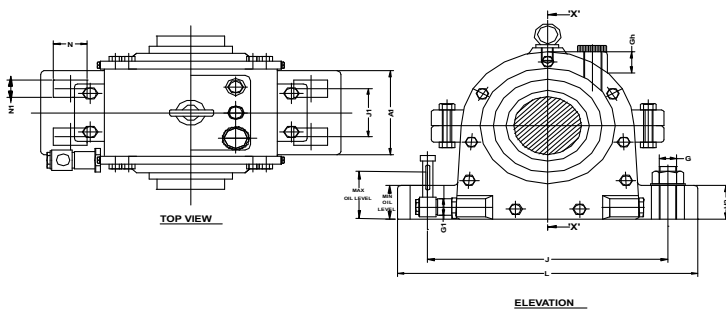
Bearing Housing Designation	Shaft diameter		dc min	AA	AB	A1	A2	A3	G	Gh	H	H1	H2	J	J1	L	N	N1	S	d1	S1	G1	G2	Ba	Bb	Suitable for Bearing
	da	db																								
SOFN 222	110	108	116	216	229	145	216	13	M24	27	290	160	50	347	75	420	45	28	114.5	120	5	R1/2	R1/2	192	138	22222 CC
SOFN 322	110	108	118	270	290	190	265	20	M30	33	355	190	65	415	100	500	45	35	145	130	8	R1/2	R3/4	243	180	22322 CC
SOFN 224	120	118	126	258	276	170	245	18	M24	27	315	170	55	347	90	420	45	28	138	135	8	R1/2	R1/2	225	164	22224 CC
SOFN 324	120	118	128	285.5	306	190	265	20.5	M30	44	375	200	65	450	115	540	50	35	153	140	8	R1/2	R3/4	254	192	22324 CC
SOFN 226	130	128	138	255	270	180	260	15	M24	32	335	180	60	377	100	450	45	28	135	145	8	R1/2	R1/2	226	164	22226 CC
SOFN 326	130	128	140	300	320	205	285	20	M30	38	405	215	65	470	120	560	50	35	160	150	8	R1/2	R3/4	265	202	22326 CC
SOFN 228	140	138	148	265	280	190	265	15	M30	33	355	190	65	415	100	500	45	35	140	160	8	R1/2	R3/4	234	170	22228 CC
SOFN 328	140	138	150	320	340	220	300	20	M30	42	425	230	80	510	120	630	60	35	170	165	8	R1/2	R3/4	287	215	22328 CC
SOFN 230	150	148	158	265	280	190	265	15	M30	44	375	200	65	450	115	540	50	35	140	170	8	R1/2	R3/4	239	173	22230 CC
SOFN 330	150	148	168	335	350	240	320	15	M30	44	455	245	75	545	150	650	65	35	175	175	10	R1/2	R3/4	292	225	22330 CC
SOFN 232	160	158	168	298	316	205	280	18	M30	38	405	215	65	470	120	560	50	35	158	178	10	R1/2	R3/4	266	193	22232 CC
SOFN 332	160	158	178	350	370	250	335	20	M36	50	480	260	85	590	150	720	70	42	185	190	10	R1/2	R3/4	315	240	22332 CC
SOFN 234	170	168	180	330	350	230	310	20	M30	46	440	235	70	515	130	610	55	35	175	195	10	R1/2	R3/4	290	213	22234 CC
SOFN 334	170	168	188	358	378	260	350	20	M36	44	510	275	85	600	160	730	70	42	189	197	12	R1/2	R3/4	321	244	22334 CC
SOFN 236	180	178	196	340	360	240	320	20	M30	44	455	245	75	545	150	650	65	35	180	205	10	R1/2	R3/4	296	218	22236 CC
SOFN 336	180	178	198	384.5	404	280	370	19.5	M36	48	565	305	95	670	180	820	80	42	202	210	12	R1/2	R3/4	342	260	22336 CC
SOFN 238	190	188	208	350	370	250	335	20	M36	50	480	260	85	590	150	720	70	42	185	220	12	R1/2	R3/4	317	226	22238 CC
SOFN 240	200	198	218	358	378	260	350	20	M36	44	510	275	85	600	160	730	70	42	189	227	12	R1/2	R3/4	315	233	22240 CC
SOFN 244	220	218	238	384.5	404	280	370	19.5	M36	48	565	305	95	670	180	820	80	42	202	255	12	R1/2	R3/4	342	251	22244 CC
SOFN248	240	238	258	400	420	290	380	20	M36	56	625	340	100	740	190	900	80	42	210	270	12	R1/2	R3/4	360	266	22248 CC

### SOFN Series



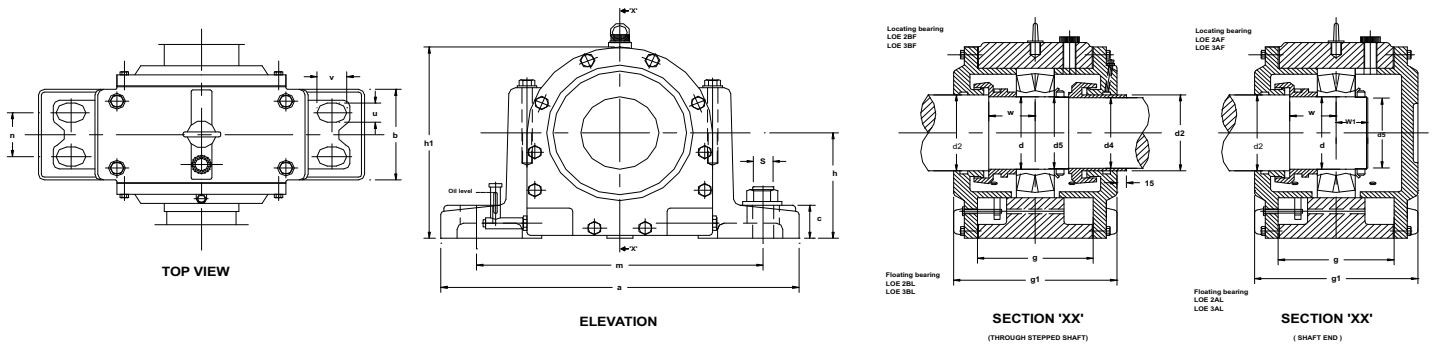
Bearing Housing Designation	Shaft dia. Da	AB	A1	A2	A3	G	Gh	H	H1	H2	J	J1	L	N	N1	S	d1	S1	G1	G2	Bearing Adaptersleeve
SOFN 610	45	150	92	145	7.5	M16	27	168	95	30	210	50	270	30	19	75	58	3	R1/4	R3/8	22310CCK H2310
SOFN 611	50	155	95	148	7.5	M16	27	180	100	30	233	50	290	33	19	77.5	65	3	R1/4	R3/8	22311CCK H2311
SOFN 512	55	150	92	145	7.5	M16	27	168	95	30	210	50	270	30	19	75	70	3	R1/4	R3/8	22212CCK H312
SOFN 612		170	100	152	7.5	M16	27	198	110	30	230	55	290	34	19	85	70	5	R1/4	R3/8	22312CCK H2313
SOFN 513	60	155	95	148	7.5	M16	27	180	100	30	233	50	290	34	19	77.5	75	5	R1/4	R3/8	22213CCK H313
SOFN 613		180	110	182	7.5	M20	27	230	125	35	260	60	330	40	24	90	75	3	R1/4	R3/8	22313CCK H2313
SOFN 515	65	170	100	152	7.5	M16	27	198	110	30	230	55	290	34	19	85	85	5	R1/4	R3/8	22215CCK H 315
SOFN 615		190	120	190	10	M20	27	245	135	45	290	70	360	40	24	95	85	5	R1/2	R3/8	22315CCK H2315
SOFN 516	70	180	110	182	7.5	M20	27	230	125	35	260	60	330	40	24	90	95	5	R1/2	R3/8	22215CCK H316
SOFN 616		214	135	210	15	M20	27	255	140	40	290	80	360	40	24	107	95	5	R1/2	R3/8	22316CCK H2316
SOFN 517	75	180	110	182	7.5	M20	27	230	125	35	260	60	330	40	24	90	96	5	R1/2	R3/8	22217CCK H317
SOFN 617		206	130	205	10	M24	27	270	145	50	320	75	400	45	28	103	96	5	R1/2	R1/2	22317CCK H2317
SOFN 518	80	190	120	190	10	M20	27	245	135	45	290	70	360	40	24	95	100	5	R1/2	R3/8	22218CCK H318
SOFN 618		240	165	246	15	M24	32	280	155	50	317	95	400	45	28	120	104	5	R1/2	R1/2	22318CCK H2318
SOFN 519	85	200	135	210	8	M20	27	255	140	45	290	80	360	40	24	100	105	5	R1/2	R3/8	22219CCK H 319
SOFN 619		229	145	216	13	M24	27	290	160	50	347	75	420	45	28	114.5	105	5	R1/2	R1/2	22319CCK H2319
SOFN 520	90	206	130	205	10	M24	27	270	145	50	320	75	400	45	28	103	110	5	R1/2	R1/2	22220CCK H320
SOFN 620		270	170	245	15	M24	27	315	170	55	347	90	420	45	28	135	115	8	R1/2	R1/2	22320CCK H2320

### SOFN Series



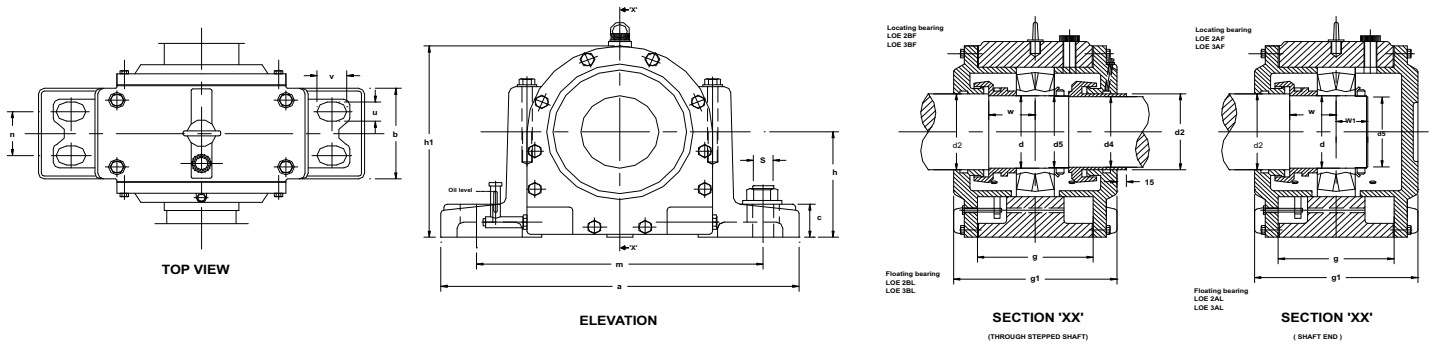
Bearing Housing Designation	Shaft dia. d	AB	A1	A2	A3	G	Gh	H	H1	H2	J	J1	L	N	N1	S	d1	S1	G1	G2	Bearing Adaptersleeve
SOFN522	100	229	145	216	13	M24	27	290	160	50	347	75	420	45	28	114.5	120	5	R1/2	R1/2	22222CCK H322
SOFN622		290	190	265	20	M30	33	355	190	65	415	100	500	45	35	145	130	8	R1/2	R3/4	22322CCK H2322
SOFN524	110	276	170	245	18	M24	27	315	170	55	347	90	420	45	28	138	135	8	R1/2	R1/2	22224CCK H3124
SOFN624		306	190	265	20.5	M30	44	375	200	65	450	115	540	50	35	153	140	8	R1/2	R3/4	22324CCK H2324
SOFN526	115	270	180	260	15	M24	32	335	180	60	377	100	450	45	28	135	145	8	R1/2	R1/2	22226CCK H3126
SOFN 626		320	205	285	20	M30	38	405	215	65	470	120	560	50	35	160	150	8	R1/2	R3/4	22326CCK H2326
SOFN528	125	280	190	265	15	M30	33	355	190	65	415	100	500	45	35	140	160	8	R1/2	R3/4	22228CCK H3128
SOFN628		340	220	300	20	M30	42	425	230	80	510	120	630	60	35	170	165	8	R1/2	R3/4	22328CCK H2328
SOFN530	135	280	190	265	15	M30	44	375	200	65	450	115	540	50	35	140	170	8	R1/2	R3/4	22230CCK H3130
SOFN630		350	240	320	15	M30	44	455	245	75	545	150	650	65	35	175	175	10	R1/2	R3/4	22330CCK H2330
SOFN532	140	316	205	280	18	M30	38	405	215	65	470	120	560	50	35	158	178	10	R1/2	R3/4	22232CCK H3132
SOFN632		370	250	335	20	M36	50	480	260	85	590	150	720	70	42	185	190	10	R1/2	R3/4	22332CCK H2332
SOFN534	150	350	230	310	20	M30	46	440	235	70	515	130	610	55	35	175	195	10	R1/2	R3/4	22234CCK H3134
SOFN634		378	260	350	20	M36	44	510	275	85	600	160	730	70	42	189	197	12	R1/2	R3/4	22334CCK H2334
SOFN536	160	360	240	320	20	M30	44	455	245	75	545	150	650	65	35	180	205	10	R1/2	R3/4	22236CCK H3136
SOFN636		404	280	370	19.5	M36	48	565	305	95	670	180	820	80	42	202	210	12	R1/2	R3/4	22336CCK H2336
SOFN538	170	370	250	335	20	M36	50	480	260	85	590	150	720	70	42	185	220	12	R1/2	R3/4	22238CCK H3138
SOFN540	180	378	260	350	20	M36	44	510	275	85	600	160	730	70	42	189	227	12	R1/2	R3/4	22240CCK H3140
SOFN544	200	404	280	370	19.5	M36	48	565	305	95	670	180	820	80	42	202	255	12	R1/2	R3/4	22244CCK H3144
SOFN 548	220	420	290	380	20	M36	56	625	340	100	740	190	900	80	42	210	270	12	R1/2	R3/4	22248CCK H3148

### LOE Series



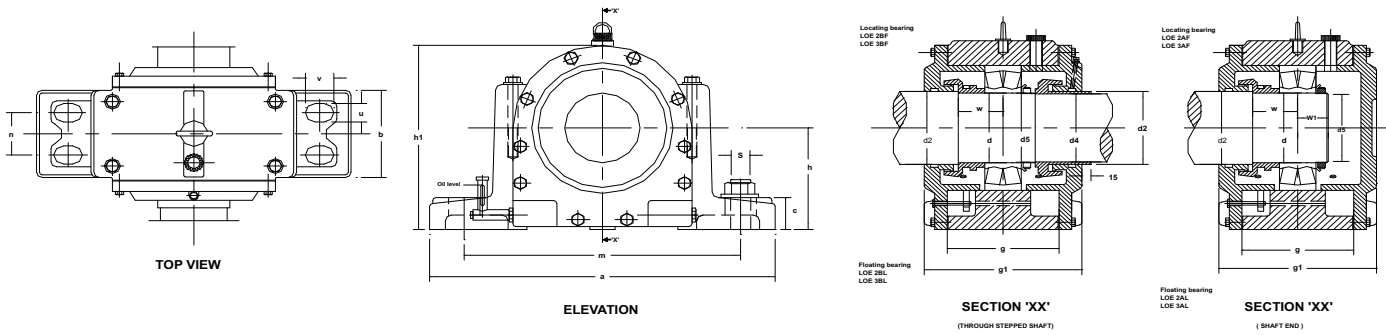
Bearing Housing Designation	Shaft diameter				a	b	h1	h	c	w	w1	m	n	g	g1	v	u	s	Suitable For Bearing
	d	d2	d4	d5															
LOE-310	50	55	47	M50x2	350	125	205	115	40	52	33	290	75	135	210	30	20	M-16	22310 CC
LOE-312	60	65	57	M60x2	370	130	220	125	45	55	37	310	80	140	220	30	20	M-16	22312 CC
LOE-214	70	75	67	M70x2	350	110	220	125	45	52	37	290	60	120	190	30	20	M-16	22214 CC
LOE-314	70	75	67	M70x2	410	150	240	135	48	55	41	340	80	160	225	35	25	M-20	22314 CC
LOE-215	75	80	72	M75x2	350	110	220	125	45	52	37	290	60	120	190	30	20	M-16	22215 CC
LOE-216	80	85	77	M80x2	410	150	245	135	48	55	47	340	80	160	225	35	25	M-20	22216 CC
LOE-316	80	85	77	M80x2	490	160	270	150	50	67	47	400	80	170	250	45	30	M-24	22316 CC
LOE-217	85	90	82	M85x2	410	150	245	135	48	62	37	340	80	160	225	35	25	M-20	22217 CC
LOE-317	85	90	82	M85x2	490	160	270	150	50	72	52	400	80	170	250	45	30	M-24	22317 CC
LOE-218	90	95	87	M90x2	410	150	245	135	48	61	40	340	80	160	225	35	25	M-20	22218 CC
LOE-318	90	95	87	M90x2	500	165	305	175	55	72	51	420	80	175	250	45	30	M-24	22318 CC
LOE-219	95	100	92	M95x 2	490	160	270	150	50	67	42	400	80	170	250	45	30	M-24	22219 CC

### LOE Series



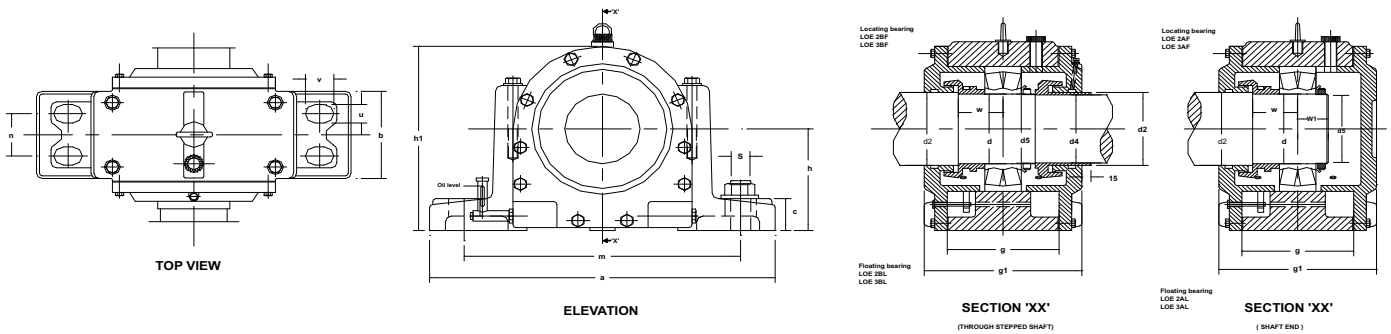
Bearing Housing Designation	Shaft diameter				a	b	h1	h	c	w	w1	m	n	g	g1	v	u	s	Suitable For Bearing
	d	d2	d4	d5															
LOE-220	100	110	97	M100x2	490	160	270	150	50	60	45	400	80	170	250	45	30	M-24	22220 CC
LOE-320	100	106	97	M100x2	550	165	320	175	55	72	58	440	80	175	250	50	36	M-30	22320 CC
LOE-222	110	116		M110x2	510	165	300	165	50	70	49	420	80	175	250	45	30	M-24	22222 CC
LOE-322	110	120	f	M110x2	570	180	335	180	65	77	62	460	95	190	270	50	36	M-30	22322 CC
LOE-224	120	126	117	M120x2	550	165	320	175	55	72	52	440	80	175	250	50	36	M-30	22224 CC
LOE-324	120	126	117	M120x2	660	200	390	220	75	90	66	530	110	210	300	60	42	M-36	22324 CC
LOE-226	130	136	127	M130x2	570	175	345	190	65	77	56	460	90	185	260	50	36	M-30	22226 CC
LOE-326	130	140	127	M130x2	660	200	420	235	80	86	72	530	110	220	315	60	42	M-36	22326 CC
LOE-228	140	150	137	M140x2	570	175	355	190	65	73	58	460	100	180	260	50	36	M-30	22228 CC
LOE-328	140	146	137	M140x2	710	220	450	260	85	95	76	580	125	230	325	60	42	M-36	22328 CC
LOE-230	150	156	147	M150x2	660	190	395	220	70	82	64	530	100	200	275	60	42	M-36	22230 CC
LOE-330	150	160	147	M150x2	760	200	465	265	85	95	82	630	125	240	335	60	42	M-36	22330 CC
LOE-232	160	170	155	M160x3	660	200	400	220	70	80	70	530	110	210	290	60	42	M-36	22232 CC
LOE-332	160	166	155	M160x3	820	240	485	270	90	100	86	670	130	250	350	70	48	M-42	22332 CC
LOE-234	170	176	165	M170x3	710	200	460	260	85	90	73	580	110	210	300	60	42	M-36	22234 CC
LOE-334	170	180	165	M170x3	830	240	510	280	90	105	92	670	130	255	350	70	48	M-42	22334 CC
LOE-236	180	190	175	M180x3	710	200	465	260	85	90	75	580	110	210	300	60	42	M-36	22236CC
LOE-336	180	190	175	M180x3	840	240	530	290	90	108	95	680	130	260	360	70	48	M-42	22336CC
LOE-238	190	196	185	M190x3	820	240	485	270	90	95	81	670	130	250	350	70	48	M-42	22238CC
LOE-240	200	210	195	M200x3	830	240	510	280	90	100	83	670	130	260	360	70	48	M-42	22240CC
LOE-244	220	230	212	Tr220x4	880	240	565	310	105	108	92	720	130	280	380	70	48	M-42	22244CC
LOE-248	240	260	235	Tr240x4	980	280	615	340	120	120	100	820	165	300	400	70	48	M-42	22248CC

### LOE Series



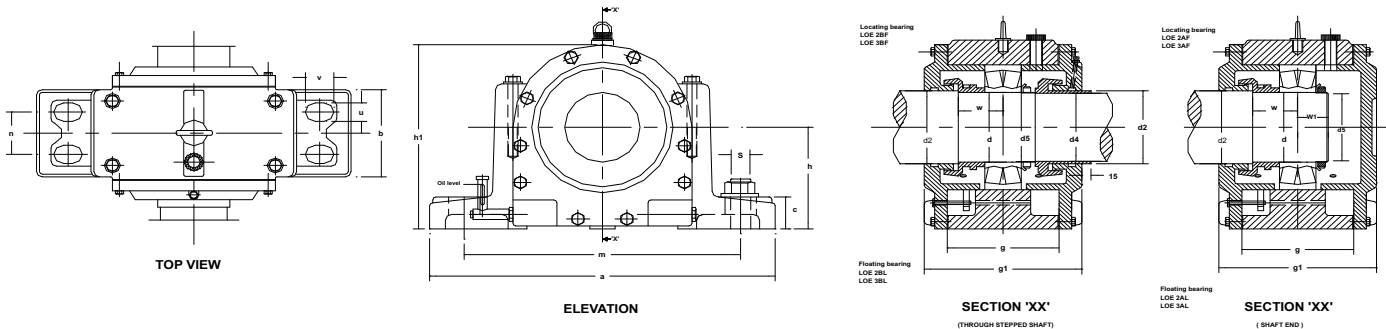
Bearing Housing Designation	Shaft dia. D1	a	b	h1	h	c	m	n	g	g1	v	u	s	w1	Bearing Adapter Sleeve
LOE612	50	370	130	220	125	45	310	80	140	220	30	20	M-16		22312CCK H 2312
LOE514	60	350	110	220	125	45	290	60	120	190	30	20	M-16		22214CCK H 314
LOE614	60	410	150	250	135	48	340	80	160	247	35	25	M-20	45	22314CCK H 2314
LOE515	65	350	110	220	125	45	290	60	120	190	30	20	M-16		22315CCK H 315
LOE516	70	410	150	245	135	48	340	80	160	225	35	25	M-20		22316CCK H 316
LOE616	70	490	160	270	150	50	400	80	170	272	45	30	M-24	50	22316CCK H 2316
LOE517	75	410	150	245	135	48	340	80	160	247	35	25	M-20	42	22317CCK H 317
LOE617	75	490	160	270	150	50	400	80	170	272	45	30	M-24		22317CCK H 317
LOE518	80	410	150	245	135	48	340	80	160	247	35	25	M-20	45	22318CCK H 318
LOE618	80	500	165	305	175	55	420	80	175	272	45	30	M-24	55	22318CCK H 2318
LOE519	85	490	160	270	150	50	400	80	170	272	45	30	M-24	45	22319CCK H 319

### LOE Series



Bearing Housing Designation	Shaft dia. D1	a	b	h1	h	c	m	n	g	g1	v	u	s	w1	Bearing Adapter Sleeve
LOE520	90	490	160	270	150	50	400	80	170	272	45	30	M-24	50	22220 CCK H 320
LOE620	90	550	165	320	175	55	440	80	175	272	50	36	M-30	65	22320 CCK H 2320
LOE522	100	510	165	300	165	50	420	80	175	272	45	30	M-24	60	22222 CCK H 322
LOE622	100	570	180	335	180	65	460	95	190	292	50	36	M-30	65	22322 CCK H 2322
LOE524	110	550	165	320	175	55	440	80	175	272	50	36	M-30	60	22224 CCK H 3124
LOE624	110	660	200	390	220	75	530	110	210	322	60	42	M-36	70	22324 CCK H 2324
LOE526	115	570	175	345	190	65	460	90	185	282	50	36	M-30	65	22226 CCK H 3126
LOE626	115	660	200	420	235	80	530	110	220	337	60	42	M-36	80	22326 CCK H 2326
LOE528	125	570	175	355	190	65	460	100	180	282	50	36	M-30	65	22228 CCK H 3128
LOE628	125	710	220	450	260	85	580	125	230	347	60	42	M-36	85	22328 CCK H 2328
LOE530	135	660	190	395	220	70	530	100	200	297	60	42	M-36	70	22230 CCK H 3130
LOE630	135	760	200	465	265	85	630	125	240	357	60	42	M-36	95	22330 CCK H 2330

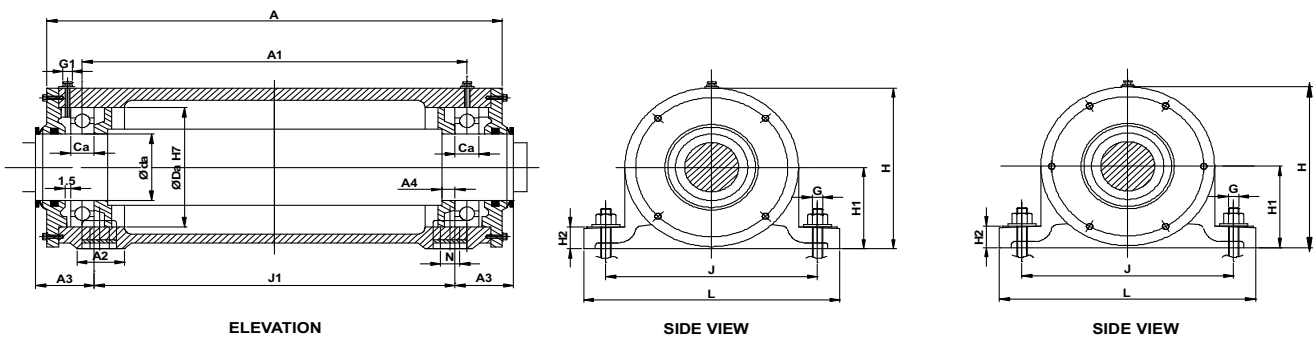
### LOE Series



Bearing Housing Designation	Shaft dia. D1	a	b	h1	h	c	m	n	g	g1	v	u	s	w1	Bearing Adapter Sleeve
LOE 532	140	660	200	400	220	70	530	110	210	312	60	42	M-36	75	22232 CCK H 3132
LOE 632	140	820	240	485	270	90	670	130	250	372	70	48	M-42	100	22332 CCK H 2332
LOE 534	150	710	200	460	260	85	580	110	210	322	60	42	M-36	80	22234 CCK H 3134
LOE 634	150	830	240	510	280	90	670	130	255	372	70	48	M-42	110	22334 CCK H 2334
LOE 536	160	710	200	465	260	85	580	110	210	322	60	42	M-36	80	22236 CCK H 3136
LOE 636	160	840	240	530	290	90	680	130	260	382	70	48	M-42	120	22336 CCK H 2336
LOE 538	170	820	240	485	270	90	670	130	250	372	70	48	M-42	80	22238 CCK H 3138
LOE 540	180	830	240	510	280	90	670	130	260	368	70	48	M-42	90	22240 CCK H 3140
LOE 544	200	880	240	565	310	105	720	130	280	402	70	48	M-42	90	22244 CCK H 3144
LOE 548	220	980	280	625	340	120	820	165	300	422	70	48	M-42	110	22248 CCK H 3148

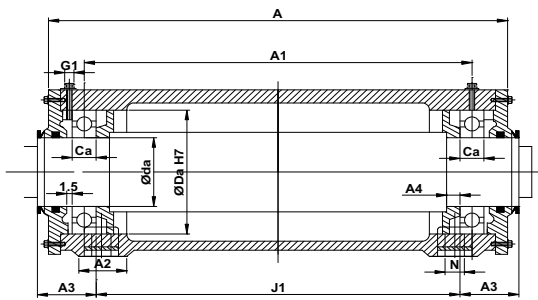


### PDN Series

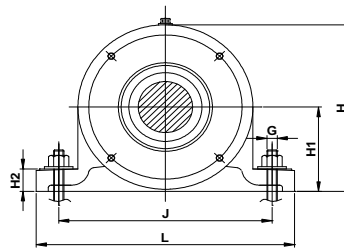


HOUSING DESIGNATION	Shaft dia da mm	HOUSING DIMENSIONS IN MM															Appropriate bearing	Components	
		A	A1	A2	A3	A4	Da	H	H1	H2	J	J1	L	N	G	G1		V-Ring	Fet strip
PDN 305	25	202	146.5	35	40.5	7	62	95	50	16	120	135	155	12	10	1/8	6305	V-25 A	FS 190
PDN 206	30	197	147.5	35	37.5	7	62	95	50	16	120	135	155	12	10	1/8	6206	V-30 A	
PDN 306	30	226	171.5	40	45	7	72	100	50	18	130	150	160	15	12	1/8	6306	V-30 A	FS 190
PDN 207	35	227	173.5	40	45	7	72	100	50	18	130	150	160	15	12	1/8	6207	V-35 A	
PDN 307	35	260	195.5	45	49.5	8	80	116	60	18	150	175	190	15	12	1/8	6307	V-35 A	FS 190
PDN 208	40	259	198.5	45	49.5	8	80	116	60	18	150	175	190	15	12	1/8	6208	V-40 A	
PDN 308	40	315	255.5	52	53	10	90	121	60	20	150	225	190	15	12	1/8	6308	V-240 A	FS 190
PDN 309	45	360	279.5	52	63	10	100	137	70	22	170	250	210	15	12	1/8	6309	V-45A	FS 190
PDN 210	50	314	258.5	52	52	10	90	121	60	20	150	225	190	15	12	1/8	6210	V-50 A	
PDN 310	50	377	311.5	60	59	10	110	142	70	25	170	275	210	15	12	1/8	6310	V-50 A	FS 260
PDN 211	55	356	283.5	52	60.5	10	100	137	70	22	170	250	210	15	12	1/8	6211	V-55 A	
PDN 311	55	422	335.5	60	69	10	120	158	80	25	210	300	260	19	16	1/8	6311	V-55A	FS 260

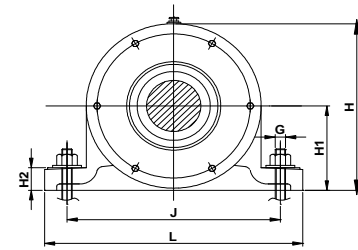
### PDN Series



ELEVATION



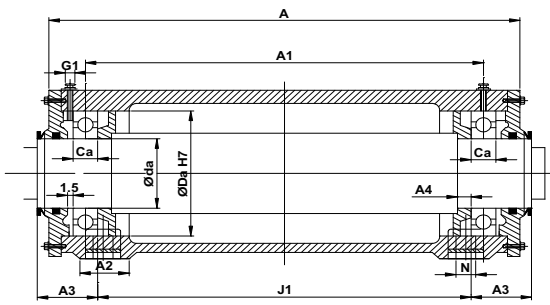
SIDE VIEW



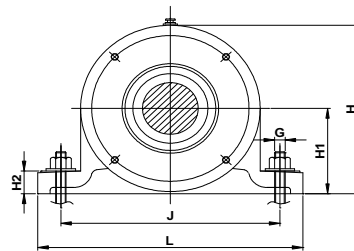
SIDE VIEW

HOUSING DESIGNATION	Shaft dia da mm	HOUSING DIMENSIONS IN MM															Appropriate bearing	Components	
		A	A1	A2	A3	A4	Da	H	H1	H2	J	J1	L	N	G	G1		V- Ring	Fet strip
PDN 212	60	376	316.5	60	58	10	110	142	70	25	170	275	210	15	12	1/8	6212	V-60A	
PDN 312	60	460	383.5	70	68	10	130	165	80	25	210	340	260	19	16	1/8	6312	V- 60A	FS 260
PDN 313	65	492	402.5	70	74	11	140	185	95	25	230	360	280	19	16	1/4	6313	V- 65A	FS 260
PDN 214	70	459	390.5	70	69	10	125	165	80	25	210	340	260	19	16	1/8	6214	V- 70A	
PDN 314	70	512	420.5	70	76	11	150	190	95	25	230	380	290	19	16	1/4	6314	V- 70A	FS 330
PDN 215	75	459	389.5	70	69	10	130	165	80	25	210	340	260	19	16	1/8	6215	V- 75A	
PDN 315	75	547	448.5	80	83.5	12	160	200	100	30	260	400	320	19	16	1/4	6315	V-75A	FS 330
PDN 216	80	493	409.5	70	76	11	140	185	95	25	230	360	280	19	16	1/4	6216	V-80A	
PDN 316	80	556	466.5	80	78	12	170	220	112	30	260	420	320	19	16	1/4	6316	V-80A	FS 330

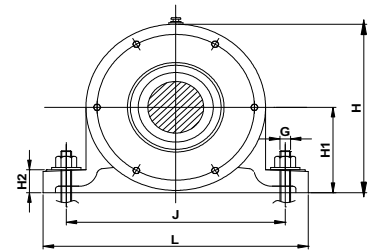
### PDN Series



ELEVATION



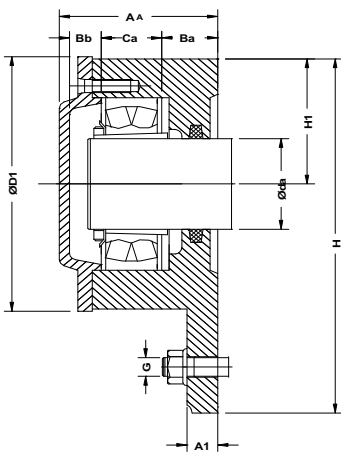
SIDE VIEW



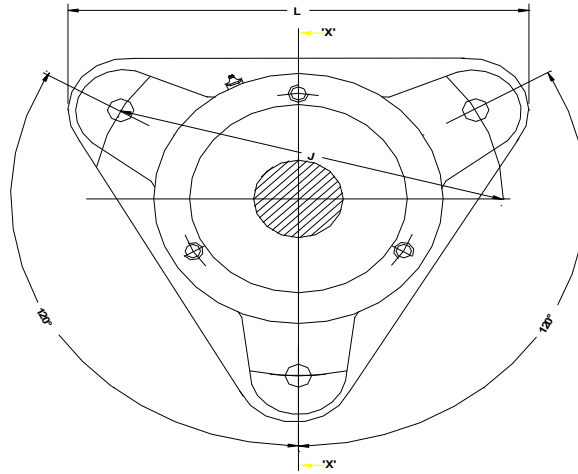
SIDE VIEW

HOUSING DESIGNATION	Shaft dia da mm	HOUSING DIMENSIONS IN MM															Appropriate bearing	Components	
		A	A1	A2	A3	A4	Da	H	H1	H2	J	J1	L	N	G	G1		V-Ring	Fet strip
PDN 317	85	590	486	80	85	12	180	225	112	30	290	440	350	19	16	16	6317	V-85A	FS 330
PDN 218	90	543	455.5	80	81	12	160	200	100	30	260	400	320	19	16	16	6218	V- 90A	
PDN 318	90	605	510	85	82.5	11	190	230	112	30	290	460	350	19	16	16	6318	V- 90A	FS 370
PDN 319	95	648	540	90	94	13	200	253	125	36	320	480	400	24	20	20	6319	V- 95A	FS 370
PDN 220	100	588	493	80	83.5	12	180	225	112	30	290	440	350	19	16	16	6220	V- 100A	
PDN 320	100	673	570	95	96.5	11.5	215	264	130	40	320	500	400	24	20	20	6320	V- 100A	FS 460
PDN 222	110	634	547	90	88	13	200	253	125	36	320	480	400	24	20	20	6222	V-110A	
PDN 322	110	686	580	95	94.5	10	240	296	150	40	380	520	450	28	24	24	6322	V-110A	FS 460
PDN 224	120	672	577	95	97	11.5	215	264	130	40	320	500	400	24	20	20	6224	V-120A	
PDN 324	120	707	600	100	96	11.5	260	322	160	40	410	538	500	35	30	30	6324	V - 120 A	FS 460

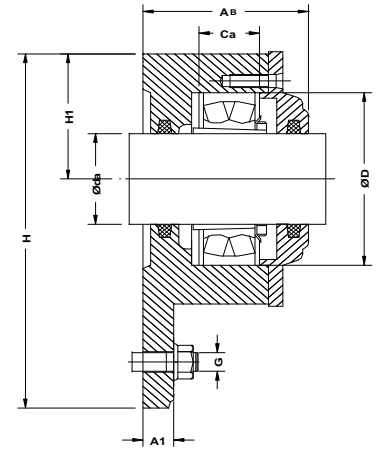
### FLANGED Series



**SECTION 'XX'**  
(SHAFT END)



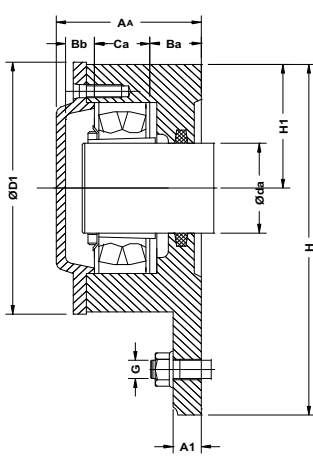
**ELEVATION**



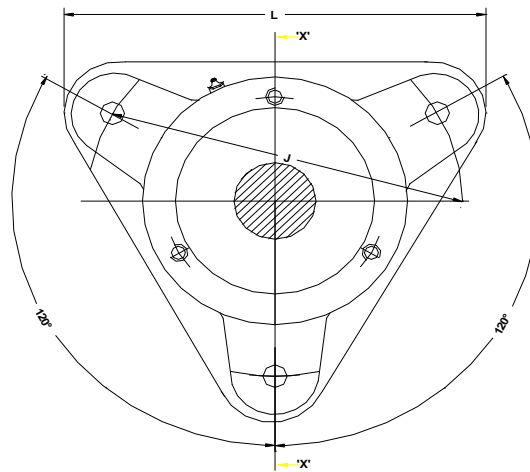
**SECTION 'XX'**  
(THROUGH SHAFT)

Plummer Block Designation	Shaft dia	DIMENSIONS IN MM													Appropriate Bearing No. Sleeve	Felt strip
		AA	AB	A1	Ba	Bb	D1	H	H1	J	L	G	Ca	D		
722505	20	51.5	56.5	10	15	12.5	75	100	38	96	110	10	20	52	1205 EK + H 205 2205 EK + H 305 22205 EK + H 305	FS110
722506	25	57	59.5	12	16	15	86	117	44	116	130	10	22	62	1206 EK + H 206 2206 EK + H 306 22206 EK+ H 306	FS190
722507	30	59.5	63.5	12	16	14.5	97	130	48.5	130	145	12	25	72	1207 EK + H 207 2207 EK + H 307 22207 EK+ H 307	FS190
722508	35	64	65.5	12	17	18	108	143	54	140	160	12	25	80	1208 EK + H 208 2208 EK + H 308 22208 EK+ H 308	FS 190
722509	40	64.5	69.5	12	19	16.5	113	160	60	160	180	12	25	85	1209 EK + H 209 2209 EK + H 309 22209 EK+ H 309	FS190
722510	45	68.5	73	15	22	17.5	118	160	60	180	180	12	25	90	1210 EK + H 210 2210 EK + H 310 22210 EK+ H 310	FS 190
722511	50	75.5	81.5	15	24	19.5	128	172	65	192	192	12	27	100	1211 EK + H 211 2211 EK + H 311 22211 EK+ H 311	FS260
722512	55	77	82	15	23	19	142	189	72	210	210	12	30	110	1212 EK + H 212 2212 EK + H 312 22212 EK+ H 312	FS 260
722513	60	80	86	15	22	20	152	203	78	225	225	12	30	120	1213 EK + H 213 2213 EK + H 313 22213 EK+ H 313	FS 260

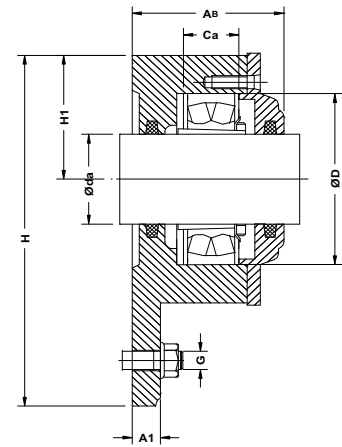
### FLANGED Series



**SECTION 'XX'**  
(SHAFT END)



**ELEVATION**



**SECTION 'XX'**  
(THROUGH SHAFT)

Plummer Block Designation	Shaft dia	DIMENSIONS IN MM										Appropriate Bearing No.	Felt strip
		da	A	A1	Da	D1	H	H1	J	L	G		
I - 120013 E	20	42	10	28.9	69	92.5	35	90	105	10	47	11204 E	FS 180
I - 120014	25	46	10	33.3	75	100	38	96	110	10	52	11205 E	FS 180
I - 120015	30	50	12	40.1	86	117	44	116	130	10	62	11206 E	FS 180
I - 120016 E	35	54	12	47	97	130	48.5	130	145	12	72	11207E	FS 180
I - 120017	40	60	12	54	108	143	54	140	160	12	80	11208 E	FS 300
I - 120018	45	62	12	57.7	113	160	60	160	180	12	85	11209 E	FS 300
I - 120019 E	50	63	15	61.7	118	160	60	160	180	12	90	11210 E	FS 300
I - 120021	60	67	15	78	142	189	72	180	210	12	110	11212 E	FS 300